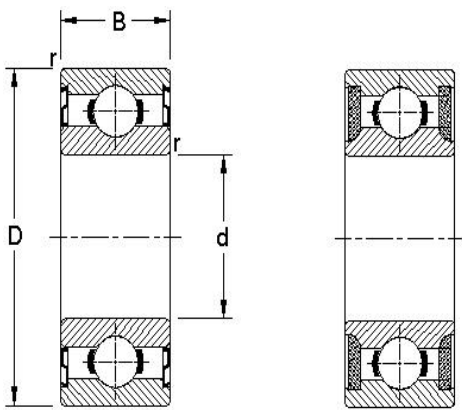


Deep groove ball bearings wide type

W 200 PP, W 300 PP series



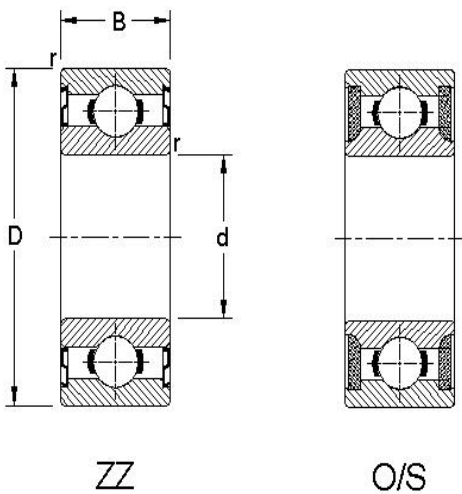
ZZ

O/S

d mm	Dimensions		r	Load ratings		Designation	M	ZZ	O/S
	D	B		Dynamic C N	Static Co				
17	40	17.463	0.6	9560	4750	W 203 PP		*	*
20	47	20.638	1	12700	6550	W 204 PP		*	*
	52	22.225	1	15900	7800	W 304 PP		*	*
25	52	20.638	1	14000	7800	W 205 PP		*	*
	62	25.4	1	22500	11600	W 305 PP		*	*
30	62	23.813	1	19500	11200	W 206 PP		*	*
	72	30.163	1	28100	16000	W 306 PP		*	*
35	72	26.988	1	25500	15300	W 207 PP		*	*
	80	34.925	1.5	33200	19000	W 307 PP		*	*
40	80	30.163	1	30700	19000	W 208 PP		*	*
	90	36.513	1.5	41000	24000	W 308 PP		*	*
45	85	30.163	1	33200	21600	W 209 PP		*	*
	100	39.688	1.5	52700	31500	W 309 PP		*	*
50	90	30.163	1	35100	23200	W 210 PP		*	*
	110	44.45	2	61800	38000	W 310 PP		*	*
55	100	33.338	1.5	43600	29000	W 211 PP		*	*
	120	49.213	2	71500	45000	W 311 PP		*	*
60	110	36.513	1.5	47500	32500	W 212 PP		*	*
	130	53.925	2	81900	52000	W 312 PP		*	*
65	120	38.1	1.5	55900	40500	W 213 PP		*	*
	140	58.738	2	92300	60000	W 313 PP		*	*
70	125	39.688	1.5	60500	45000	W 214 PP		*	*
	150	63.5	2	104000	68000	W 314 PP		*	*
75	130	41.275	1.5	66300	49000	W 215 PP		*	*
	160	68.263	2	114000	76500	W 315 PP		*	*
80	140	44.45	2	70200	55000	W 216 PP		*	*

Deep groove ball bearings wide type

W 200 PP, W 300 PP series



d mm	Dimensions			Load ratings		Designation	M	ZZ	O/S
	D	B	r	Dynamic C N	Static Co				
	170	68.263	2	124000	86500	W 316 PP		*	*
85	150	49.213	2	83200	64000	W 217 PP		*	*
	180	73.025	2.5	133000	96500	W 317 PP		*	*
90	160	52.388	2	95600	73500	W 218 PP		*	*
	190	73.025	2.5	143000	108000	W 318 PP	*	*	*
95	200	77.778	3	153000	118000	W 319 PP	*	*	*
100	215	82.55	3	174000	140000	W 320 PP	*	*	*