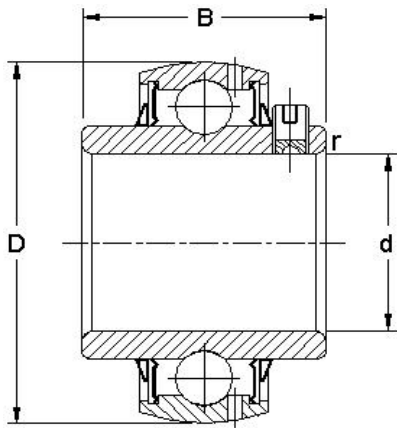
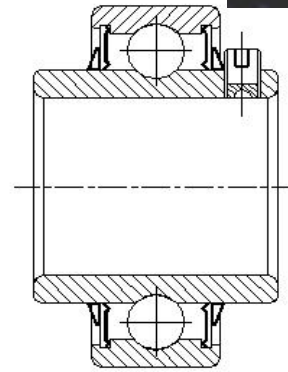


Bearing for power transmission unit

Set screw type



UC

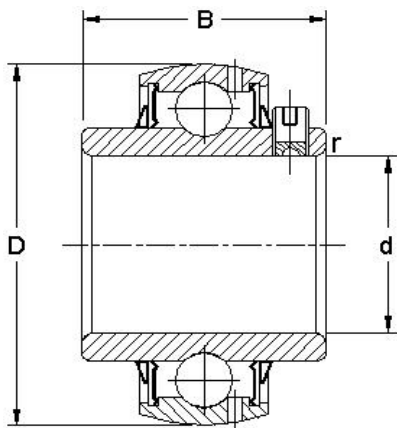


UCS

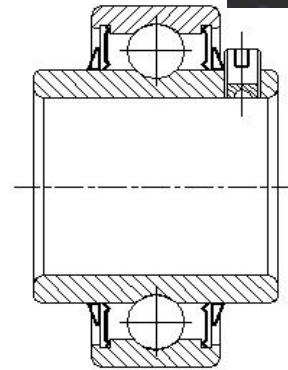
				Load ratings		Designation
Dimensions				Dynamic	Static	
d	D	B	r	C	Co	
				N		
12	47	31	1	6890	3100	UC 201
	47	31	1	6890	3100	UCS 201
15	47	31	1	7800	3750	UC 202
	47	31	1	7800	3750	UCS 202
17	47	31	1	9560	4750	UC 203
	47	31	1	9560	4750	UCS 203
19.05	47	31	1.5	12700	6550	UC 204 - 012
	47	31	1.5	12700	6550	UCS 204 - 012
20	47	31	1.5	12700	6550	UC 204
	47	31	1.5	12700	6550	UCS 204
25	52	34	1.5	14000	7800	UC 205
	52	34	1.5	14000	7800	UCS 205
	62	38	2	22500	11600	UC 305
	62	38	2	22500	11600	UCS 305
25.4	52	34	1.5	14000	7800	UC 205 - 100
25.4	52	34	1.5	14000	7800	UCS 205 - 100
30	62	38.1	1.5	19500	11200	UC 206
	62	38.1	1.5	19500	11200	UCS 206
	72	43	2	28100	16000	UC 306
	72	43	2	28100	16000	UCS 306
30.1625	62	38.1	1.5	19500	11200	UC 206 - 103
	62	38.1	1.5	19500	11200	UCS 206 - 103
31.75	72	42.9	2	25500	15300	UC 207 - 104
	72	42.9	2	25500	15300	UCS 207 - 104
35	72	42.9	2	25500	15300	UC 207
	72	42.9	2	25500	15300	UCS 207
	80	48	2.5	33200	19000	UC 307

Bearing for power transmission unit

Set screw type



UC

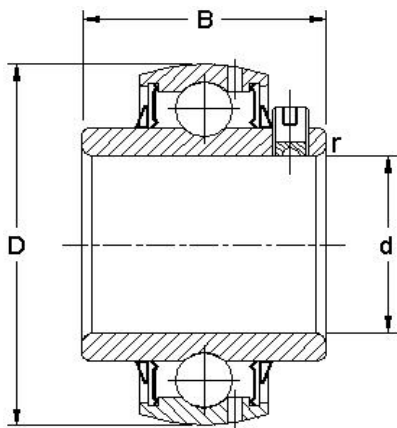


UCS

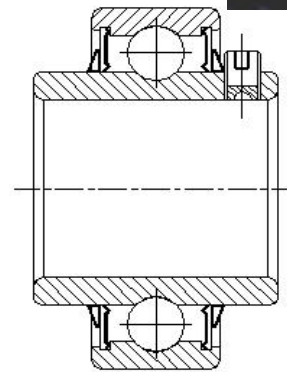
Dimensions d mm	D	B	r	Load ratings		Designation
				Dynamic C N	Static Co	
	80	48	2.5	33200	19000	UCS 307
36.5125	72	42.9	2	25500	15300	UC 207 - 107
	72	42.9	2	25500	15300	UCS 207 - 107
38.1	80	49.2	2	30700	19000	UC 208 - 108
	80	49.2	2	30700	19000	UCS 208 - 108
40	80	49.2	2	30700	19000	UC 208
	80	49.2	2	30700	19000	UCS 208
	90	52	2.5	41000	24000	UC 308
	90	52	2.5	41000	24000	UCS 308
44.45	85	49.2	2	33200	21600	UC 209 - 112
	85	49.2	2	33200	21600	UCS 209 - 112
45	85	49.2	2	33200	21600	UC 209
	85	49.2	2	33200	21600	UCS 209
	100	57	2.5	52700	31500	UC 309
	100	57	2.5	52700	31500	UCS 309
49.2125	90	51.6	2	35100	23200	UC 210 - 115
50	90	51.6	2	35100	23200	UC 210
	90	51.6	2	35100	23200	UCS 210
	110	61	3	61800	38000	UC 310
	110	61	3	61800	38000	UCS 310
50.8	100	55.6	2.5	43600	29000	UC 211 - 200
	100	55.6	2.5	43600	29000	UCS 211 - 200
55	100	55.6	2.5	43600	29000	UC 211
	100	55.6	2.5	43600	29000	UCS 211
	120	66	3	71500	45000	UC 311
	120	66	3	71500	45000	UCS 311
57.15	110	65.1	2.5	47500	32500	UC 212 - 204

Bearing for power transmission unit

Set screw type



UC

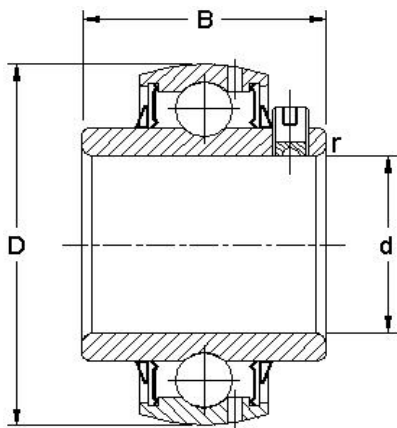


UCS

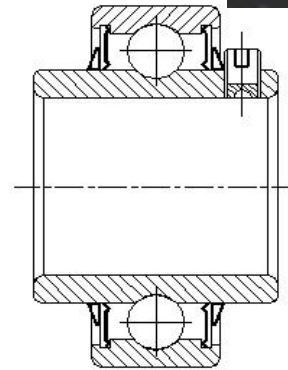
Dimensions d mm	D	B	r	Load ratings		Designation
				Dynamic C N	Static Co	
	110	65.1	2.5	47500	32500	UCS 212 - 204
60	110	65.1	2.5	47500	32500	UC 212
	110	65.1	2.5	47500	32500	UCS 212
	130	71	3.5	81900	52000	UC 312
	130	71	3.5	81900	52000	UCS 312
65	120	65.1	2.5	55900	40500	UC 213
	120	65.1	2.5	55900	40500	UCS 213
	140	75	3.5	92300	60000	UC 313
	140	75	3.5	92300	60000	UCS 313
70	125	74.6	2.5	60500	45000	UC 214
	125	74.6	2.5	60500	45000	UCS 214
	150	78	3.5	104000	68000	UC 314
	150	78	3.5	104000	68000	UCS 314
75	130	77.8	2.5	66300	49000	UC 215
	130	77.8	2.5	66300	49000	UCS 215
	160	82	3.5	114000	76500	UC 315
	160	82	3.5	114000	76500	UCS 315
80	140	82.6	3	70200	55000	UC 216
	140	82.6	3	70200	55000	UCS 216
	170	86	3.5	124000	86500	UC 316
	170	86	3.5	124000	86500	UCS 316
85	150	85.7	3	83200	64000	UC 217
	150	85.7	3	83200	64000	UCS 217
	180	96	4	133000	96500	UC 317
	180	96	4	133000	96500	UCS 317
90	160	96	3	95600	73500	UC 218
	160	96	3	95600	73500	UCS 218
	190	96	4	143000	108000	UC 318
	190	96	4	143000	108000	UCS 318

Bearing for power transmission unit

Set screw type



UC



UCS

				Load ratings		Designation
Dimensions		B	r	Dynamic	Static	
d	D			C	Co	
mm				N		
95	200	103	4	153000	118000	UC 319
	200	103	4	153000	118000	UCS 319
100	215	108	4	174000	140000	UC 320
	215	108	4	174000	140000	UCS 320
105	225	112	4	182000	153000	UC 321
	225	112	4	182000	153000	UCS 321
110	240	117	4	203000	180000	UC 322
	240	117	4	203000	180000	UCS 322
120	260	126	4	208000	186000	UC 324
	260	126	4	208000	186000	UCS 324
130	280	135	5	229000	216000	UC 326
	280	135	5	229000	216000	UCS 326
140	300	145	5	251000	245000	UC 328
	300	145	5	251000	245000	UCS 328