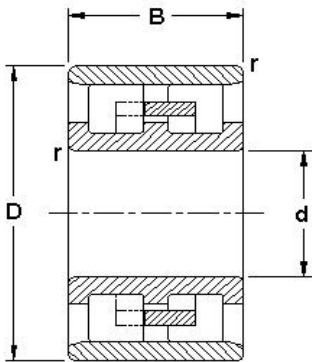
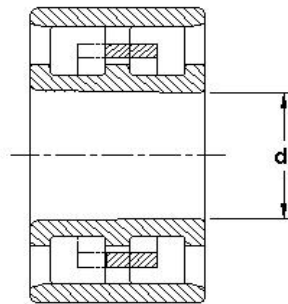


Cylindrical roller bearings

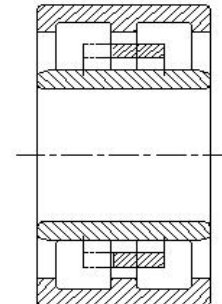
Double row



NN



NN (Tapered Bore)

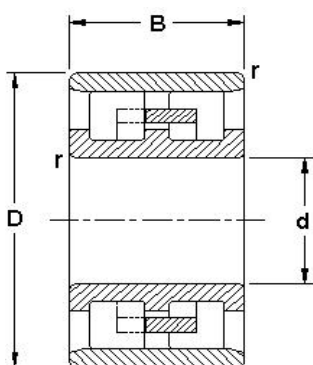


NNU

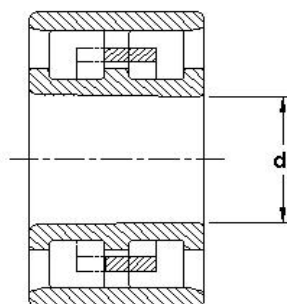
Dimensions				Load ratings		Designation	M	K
d	D	B	r	Dynamic C	Static Co			
mm				N				
30	55	19	1	29000	34000	NN 3006	*	*
35	62	20	1	35500	44000	NN 3007	*	*
40	68	21	1	45000	58500	NN 3008	*	*
45	75	23	1	54000	72000	NN 3009	*	*
50	80	23	1	57000	80000	NN 3010	*	*
55	90	26	1.1	72000	100000	NN 3011	*	*
60	95	26	1.1	75000	110000	NN 3012	*	*
65	100	26	1.1	76500	116000	NN 3013	*	*
70	110	30	1.1	98000	150000	NN 3014	*	*
75	115	30	1.1	100000	156000	NN 3015	*	*
80	125	34	1.1	120000	186000	NN 3016	*	*
85	130	34	1.1	125000	200000	NN 3017	*	*
90	140	37	1.5	140000	224000	NN 3018	*	*
95	145	37	1.5	143000	236000	NN 3019	*	*
100	140	40	1.1	129000	255000	NNU 4920	*	*
100	150	37	1.5	146000	245000	NN 3020	*	*
105	145	40	1.1	129000	260000	NNU 4921	*	*
105	160	41	2	190000	310000	NN 3021	*	*
110	150	40	1.1	132000	270000	NNU 4922	*	*
110	170	45	2	220000	360000	NN 3022	*	*
120	165	45	1.1	176000	340000	NNU 4924	*	*
	180	46	2	232000	390000	NN 3024	*	*
130	180	50	1.5	190000	390000	NNU 4926	*	*
130	200	52	2	290000	500000	NN 3026	*	*

Cylindrical roller bearings

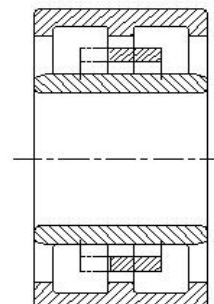
Double row



NN



NN (Tapered Bore)

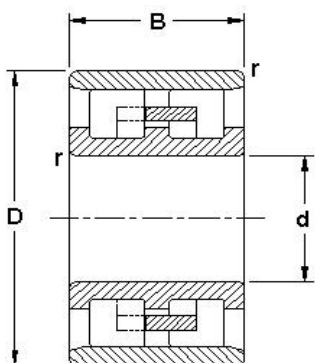


NNU

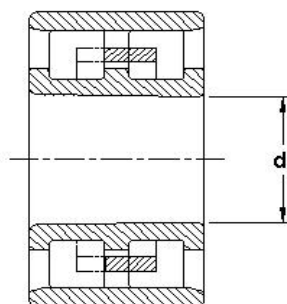
Dimensions			Load ratings		Designation	M	K	
d	D	B	Dynamic C	Static Co				
mm			N					
140	190	50	1.5	190000	400000	NNU 4928	*	*
140	210	53	2	300000	520000	NN 3028	*	*
150	210	60	2	325000	655000	NNU 4930	*	*
150	225	56	2.1	335000	585000	NN 3030	*	*
160	220	60	2	335000	680000	NNU 4932	*	*
160	240	60	2.1	375000	670000	NN 3032	*	*
170	230	60	2	340000	695000	NNU 4934	*	*
170	260	67	2.1	450000	800000	NN 3034	*	*
180	250	69	2	405000	850000	NNU 4936	*	*
180	280	74	2.1	570000	1000000	NN 3036	*	*
190	260	69	2	405000	880000	NNU 4938	*	*
190	290	75	2.1	585000	1040000	NN 3038	*	*
200	280	80	2.1	490000	1040000	NNU 4940	*	*
200	310	82	2.1	655000	1200000	NN 3040	*	*
220	300	80	2.1	510000	1140000	NNU 4944	*	*
220	340	90	3	800000	1460000	NN 3044	*	*
240	320	80	2.1	530000	1200000	NNU 4948	*	*
240	360	92	3	850000	1560000	NN 3048	*	*
260	360	100	2.1	750000	1700000	NNU 4952	*	*
260	400	104	4	1060000	2000000	NN 3052	*	*
280	380	100	2.1	765000	1800000	NNU 4956	*	*
280	420	106	4	1080000	2080000	NN 3056	*	*
300	420	118	3	1040000	2400000	NNU 4960	*	*
300	460	118	4	1270000	2400000	NN 3060	*	*
320	440	118	3	1060000	2550000	NNU 4964	*	*
320	480	121	4	1320000	2600000	NN 3064	*	*
340	520	133	5	1630000	3250000	NN 3068	*	*

Cylindrical roller bearings

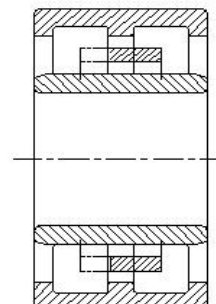
Double row



NN



NN (Tapered Bore)



NNU

Dimensions				Load ratings		Designation	M	K
d	D	B	r	Dynamic C	Static Co			
mm				N				
360	540	134	5	1660000	3350000	NN 3072	*	*
380	560	135	5	1700000	3450000	NN 3076	*	*
400	600	148	5	2160000	4500000	NN 3080	*	*
420	620	150	5	2120000	4500000	NN 3084	*	*
440	650	157	6	2450000	5100000	NN 3088	*	*
460	680	163	6	2600000	5400000	NN 3092	*	*
480	700	165	6	2700000	5850000	NN 3096	*	*
500	720	167	6	2650000	5850000	NN 30/500	*	*