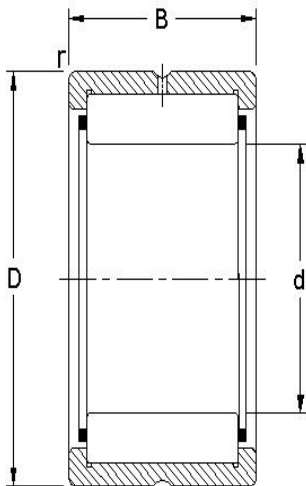


# Needle roller bearings without inner ring

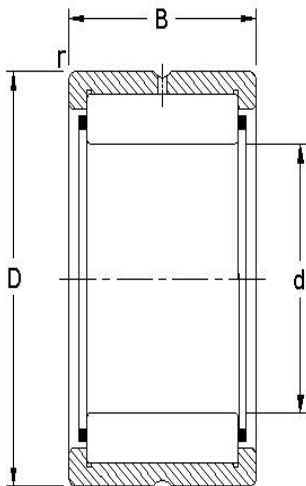
Inch series



Dimensions				Load ratings		Designation
d	D	B	r	Dynamic C	Static Co	
mm				N		
15.875	28.575	19.05	0.6	16200	19100	<b>MR 10 N</b>
	28.575	25.4	0.6	22300	28900	<b>MR 10</b>
19.05	31.75	19.05	1	18700	24000	<b>MR 12 N</b>
	31.75	25.4	1	25600	36000	<b>MR 12</b>
22.225	34.925	19.05	1	19800	26700	<b>MR 14 N</b>
	34.925	25.4	1	27100	40000	<b>MR 14</b>
25.4	38.1	19.05	1	21800	31600	<b>MR 16 N</b>
	38.1	25.4	1	30000	47200	<b>MR 16</b>
28.575	41.275	25.4	1	32500	54300	<b>MR 18 N</b>
	41.275	31.75	1	40700	72500	<b>MR 18</b>
31.75	44.45	25.4	1	33600	58300	<b>MR 20 N</b>
	44.45	31.75	1	42100	77900	<b>MR 20</b>
34.925	47.625	25.4	1	36000	65400	<b>MR 22 N</b>
	47.625	31.75	1	45200	87700	<b>MR 22</b>
38.1	52.3875	38.1	1.5	38500	69000	<b>MR 24 N</b>
	52.3875	31.75	1.5	48500	92600	<b>MR 24</b>
41.275	55.5625	25.4	1.5	39400	73000	<b>MR 26 N</b>
	55.5625	31.75	1.5	49800	98300	<b>MR 26</b>
44.45	58.7375	25.4	1.5	41800	80500	<b>MR 28 N</b>
	58.7375	31.75	1.5	52700	108600	<b>MR 28</b>
47.625	61.9125	25.4	1.5	42900	84600	<b>MR 30 N</b>
	61.9125	31.75	1.5	54100	113900	<b>MR 30</b>
49.213	63.5	31.75	1.5	49800	112100	<b>MR 31</b>
50.8	65.0875	25.4	1.5	45200	92100	<b>MR 32 N</b>
	65.0875	31.75	1.5	56700	124200	<b>MR 32</b>
57.15	76.2	38.1	1.5	83900	174000	<b>MR 36 N</b>

# Needle roller bearings without inner ring

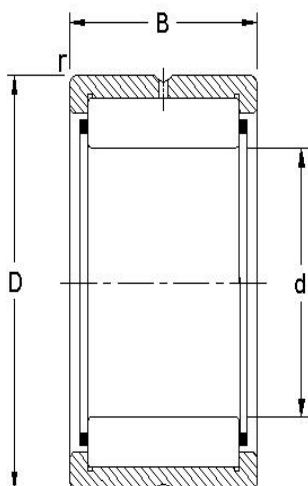
Inch series



Dimensions				Load ratings		Designation
d mm	D	B	r	Dynamic C N	Static Co	
	76.2	44.45	1.5	97500	211000	<b>MR 36</b>
63.5	82.55	38.1	2	87900	191000	<b>MR 40 N</b>
	82.55	44.45	2	102000	231800	<b>MR 40</b>
69.85	88.9	38.1	2	92100	207800	<b>MR 44 N</b>
	88.9	44.45	2	107000	252300	<b>MR 44</b>
76.2	95.25	38.1	2	98300	232700	<b>MR 48 N</b>
	95.25	44.45	2	114100	282100	<b>MR 48</b>
82.55	108.0	44.45	2	130800	286600	<b>MR 52</b>
88.9	114.3	44.45	2	137000	318600	<b>MR 56 N</b>
	114.3	50.8	2	156600	371600	<b>MR 56</b>
95.25	120.65	50.8	2.5	159700	387600	<b>MR 60</b>
101.6	127	50.8	2.5	165500	417400	<b>MR 64</b>
107.95	133.35	50.8	2.5	171800	449500	<b>MR 68</b>
114.3	152.4	57.15	2.5	257700	578500	<b>MR 72</b>
127	165.1	57.15	2.5	277200	672000	<b>MR 80</b>
139.7	177.8	63.5	2.5	286100	755600	<b>MR 88 N</b>
	177.8	76.2	2.5	368000	987900	<b>MR 88</b>
152.4	190.5	63.5	3	313300	787700	<b>MR 96 N</b>
	190.5	76.2	3	373800	992400	<b>MR 96</b>
165.1	203.2	63.5	3	316400	814400	<b>MR 104 N</b>
	203.2	76.2	3	378300	1028000	<b>MR 104</b>
184.15	231.775	76.2	3	451700	1108000	<b>MR 116</b>
196.85	244.475	76.2	3	458400	1192600	<b>MR 124</b>
209.55	257.175	76.2	3	476200	1278000	<b>MR 132</b>

# Needle roller bearings without inner ring

Inch series



Dimensions				Load ratings		Designation
d mm	D	B	r	Dynamic C N	Static Co	
222.25	269.875	76.2	4	489500	1361700	<b>MR 140</b>
234.95	282.575	76.2	4	502300	1446200	<b>MR 148</b>