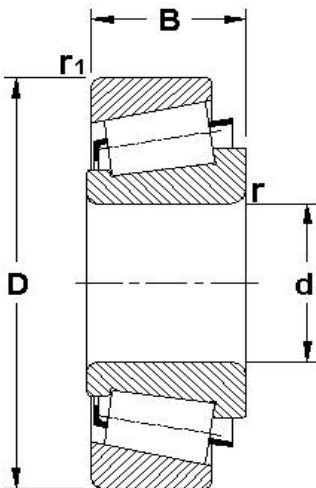


Taper roller bearings single row

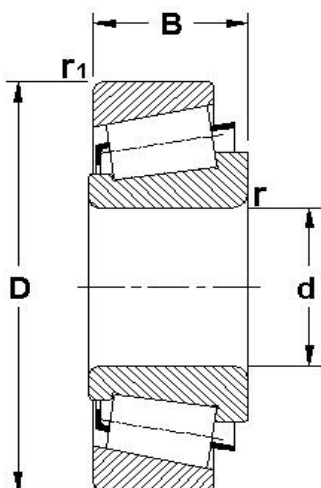
Inch series



Dimensions d mm	D	T	r	r1	Load ratings		Designation
					Dynamic C N	Static Co	
14.989	34.988	10.998	0.8	1.3	13400	13200	K-A 4059/K-A 4138
15.875	41.275	14.288	1.3	2	22000	21200	K-03062/K-03162
	42.862	14.288	1.5	1.5	17600	17600	K-11590/K-11520
17.462	39.878	13.843	1.3	1.3	21200	20800	K-LM 11749/K-LM 11710
19.05	45.237	15.494	1.3	1.3	27500	27500	K-LM 11949/K-LM 11910
	49.225	18.034	1.3	1.3	39100	40000	K-09067/K-09195
	49.225	19.845	1.5	1.3	39100	40000	K-09074/K-09195
	49.225	19.845	1.3	1.3	39100	40000	K-09078/K-09195
	49.225	21.209	1.3	1.5	39100	40000	K-09067/K-09196
	49.225	23.02	1.5	1.5	39100	40000	K-09074/K-09196
	49.225	23.02	1.3	1.5	39100	40000	K-09078/K-09196
	53.975	22.225	1.5	2.3	39600	39000	K-21075/K-21212
20.625	49.225	19.845	1.5	1.3	39100	40000	K-09081/K-09195
	49.225	23.02	1.5	1.5	39100	40000	K-09081/K-09196
21.43	50.005	17.526	1.3	1.3	36900	38000	K-M 12649/K-M 12610
21.986	45.237	15.494	1.3	1.3	27500	31000	K-LM 12749/K-LM 12710
	45.974	15.494	1.3	1.3	27500	31000	K-LM 12749/K-LM 12711
22.225	50.8	15.011	1.5	1.5	28100	30500	K-07087/K-07210 X
	52.388	19.368	1.5	1.5	41800	44000	K-1380/K-1328
25.4	50.292	14.224	1.3	1.3	26000	30000	K-L 44643/K-L 44610
	50.8	15.011	1.5	1.5	28100	30500	K-07100 S/K-07210 X
	50.8	15.011	3.3	1.5	28100	30500	K-07100 SA/K-07210 X
	57.15	19.431	1.5	1.5	39600	45000	K-M 84548/K-M 84510
	62	19.05	0.8	1.3	48400	57000	K-15101/K-15245
	63.5	20.638	3.5	1.3	47400	86000	15100/15250
	63.5	20.638	0.8	1.5	48400	57000	K-15101/K-15250 X
26	59.8	17.4625	2	2	43500	76300	1838057/1838058
26.988	50.292	14.224	3.5	1.3	26000	30000	K-L 44649/K-L 44610

Taper roller bearings single row

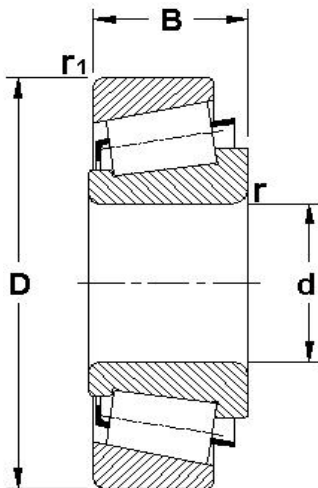
Inch series



Dimensions d mm	D	T	r	r1	Load ratings		Designation
					Dynamic C N	Static Co	
28.575	57.15	19.845	3.5	1.5	47300	55000	K-1988/K-1922
	62	19.05	3.5	1.3	48400	57000	K-15112/K-15245
	63.5	20.638	3.5	1.5	48400	57000	K-15112/K-15250
	64.292	21.433	1.5	1.5	49500	61000	K-M 86647/K-M 86610
	68.262	22.225	0.8	1.5	58300	69500	K-02474/K-02420
29	50.292	14.224	3.5	1.3	26000	32500	331274
30	69.012	19.845	0.8	1.3	53900	67000	K-14118/K-14276
	72.085	22.385	0.8	2.3	53900	67000	K-14118/K-14283
30.162	64.292	21.433	1.5	1.5	49500	61000	K-M 86649/K-M 86610
	68.262	22.225	2.3	1.5	55000	69500	K-M 88043/K-M 88010
	68.262	22.225	2.3	2.3	55000	69000	K-M 88043/K-M 88011
30.213	62	19.05	3.5	1.3	48400	57000	K-15118/K-15245
	63.5	20.638	3.5	1.5	48400	57000	K-15118/K-15250 X
31.75	59.131	15.875	3.6	1.3	34700	41500	K-LM 67048/K-LM 67010
	62	18.161	4	1.3	48400	57000	K-15123/K-15245
	63.5	19.749	4	1.5	48400	57000	K-15123/K-15250 X
	66.421	25.4	0.8	3.3	69300	81500	K-2580/K-2520
	68.262	22.225	1.5	1.5	55000	69500	K-M 88046/K-M 88010
	68.262	22.225	1.5	2.3	55000	69500	K-M 88046/K-M 88011
	72.626	30.162	0.8	3.3	79300	144100	3188 / 3120
	73.025	29.37	1.3	3.3	70400	95000	K-HM 88452/K-HM 88510
	79.375	25.4	1.5	1.5	67100	71000	K-43125/K-43312
33.338	68.262	22.225	0.8	1.5	55000	69500	K-M 88048/K-M 88010
	68.262	22.225	0.8	2.3	55000	69500	K-M 88048/K-M 88011
33.338	69.012	19.845	3.5	3.3	53900	67000	K-14130/K-14274
	69.012	19.845	3.5	1.3	53900	67000	K-14130/K-14276
	69.85	23.8125	3.5	1.3	70400	133200	2585/2523
	72.085	22.385	3.5	2.3	53900	67000	K-14130/K-14283
	76.2	29.37	0.8	3.3	78100	106000	K-HM 89443/K-HM 89410
	79.375	25.4	3.5	1.5	67100	71000	K-43131/K-43312

Taper roller bearings single row

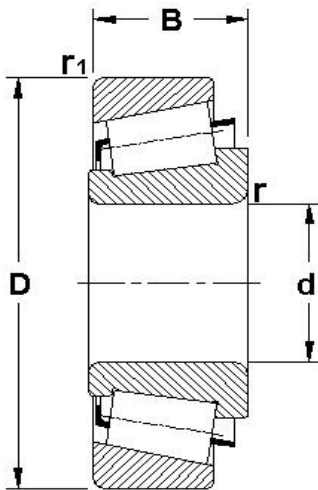
Inch series



Dimensions d mm	D	T	r	r1	Load ratings		Designation
					Dynamic C N	Static Co	
34.925	65.088	18.034	3.6	1.3	47300	57000	K-LM 484548/K-LM 48510
	69.012	19.845	1.5	1.3	53900	67000	K-14137 A/K-14276
	69.012	19.845	3.5	1.3	53900	67000	K-14138 A/K-14276
	69.012	19.845	1.5	3.3	53900	67000	K-14137 A/K-14274
	69.012	19.845	3.5	3.3	53900	67000	K-14138 A/K-14274
	69.012	26.982	0.8	1.3	53900	67000	K-14136 A/K-14276
	69.012	26.982	0.8	3.3	53900	67000	K-14136 A/K-14274
	72.085	22.385	1.5	2.3	53900	67000	K-14137 A/K-14283
	72.085	22.385	3.5	2.3	53900	67000	K-14138 A/K-14283
	72.085	29.522	0.8	2.3	53900	67000	K-14136 A/K-14283
	72.233	25.4	2.3	2.3	67100	90000	K-HM 88649/K-HM 88610
	76.2	20.638	1.5	1.3	56100	64000	K-28137/K-28300
	76.2	29.37	3.5	3.3	78100	106000	K-HM 89446/K-HM 89410
	76.2	29.37	3.5	3.3	85800	106000	K-31593/K-31520
	76.2	29.37	1.5	3.3	85800	106000	K-31594/K-31520
	79.375	29.37	3.5	3.3	91300	110000	K-3478/K-3420
	80.035	21.433	1.5	1.5	56100	64000	K-28137/K-28317
	87.312	30.162	3.5	3.3	102000	132000	K-3581/K-3525
	73025	23.812	1.5	0.8	72100	88000	K-25877/K-25821
	73025	23.812	1.5	2.3	72100	88000	K-25877/K-25820
73025	26.988	3.5	1.5	73700	88000	K-23690/K-23620	
34.988	59.131	15.875	3.5	1.3	33000	44000	K-L 68149/K-L 68110
	59.974	15.875	3.5	1.3	33000	44000	K-L 68149/K-L 68111
36.487	73.025	23.812	1.5	0.8	72100	88000	K-25880/K-25821
	73.025	23.812	1.5	2.3	72100	88000	K-25880/K-25820
	73.025	23.812	3.5	0.8	74800	93000	K-2794/K-2735 X
	76.2	23.812	3.5	3.3	74800	93000	K-2794/K-2720
36.512	76.2	29.37	0.8	3.3	78100	106000	K-HM 89448/K-HM 89410
	76.2	29.37	3.5	3.3	78100	106000	K-HM 89449/K-HM 89410
	76.2	29.37	3.5	3.3	85800	106000	K-31597/K-31520
38.1	65.088	18.034	2.3	1.3	42900	57000	K-LM 29749/K-LM 29710

Taper roller bearings single row

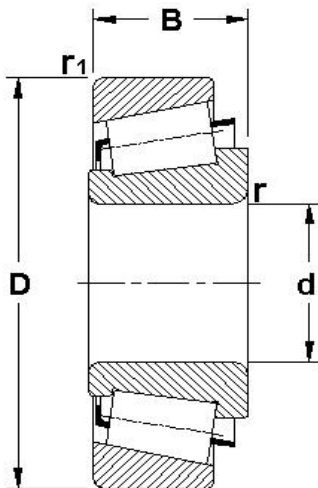
Inch series



Dimensions d mm	D	T	r	r1	Load ratings		Designation
					Dynamic C N	Static Co	
	65.088	19.812	2.3	1.3	42900	57000	K-LM 29749/K-LM 29711
	72	17.018	1.5	2	42900	51000	K-19150/K-19283 X
	72	19	3.5	1.5	49500	60000	K-16150/K-16283
	72.238	20.638	3.5	1.3	49500	60000	K-16150/K-16284
	72.238	23.812	3.5	2.3	49500	60000	K-16150/K-16283
	73.025	23.812	3.5	0.8	74800	93000	K-2788/K-2735 X
	76.2	20.638	1.5	1.3	56100	64000	K-28150/K-28300
	76.2	23.812	3.5	0.8	74800	93000	K-2788/K-2729
	76.2	23.812	3.5	3.3	74800	93000	K-2788/K-2720
	79.375	29.37	3.5	3.3	91300	110000	K-3490/K-3420
	80.035	21.433	1.5	1.5	56100	64000	K-28150/K-28317
	82.55	29.37	0.8	3.3	85800	118000	K-HM 801346/K-HM 801310
	82.55	29.37	2.3	3.3	85800	118000	K-HM 801346 X/K-HM 801310
	88.5	26.988	3.5	1.5	101000	114000	K-418/K-414
39.688	73.025	23.812	3.5	0.8	74800	93000	K-2789/K-2735 X
	73.025	25.645	0.8	2.3	66000	86500	K-M 201047/K-M 201011
	76.2	23.812	3.5	0.8	74800	93000	K-2789/K-2729
	76.2	23.812	3.5	3.3	74800	93000	K-2789/K-2720
40.988	69.975	17.5	3.6	1.5	44000	58500	K-LM 300849/K-LM 300811
41.275	73.025	16.667	3.5	1.5	46800	56000	K-18590/K-18520
	73.431	19.558	3.5	0.8	55000	69500	K-LM 501349/K-LM 501310
	73.431	21.43	3.5	0.8	55000	69500	K-LM 501349/K-LM 501314
	73.431	23.012	3.5	2.3	55000	69500	K-LM 501349/K-LM 501311
	76.2	18.009	1.5	1.5	45700	56000	K-11162/K-11300
	76.2	22.225	3.5	0.8	68200	86500	K-24780/K-24720
	82.55	26.543	3.5	3.3	73700	91500	K-M 802048/K-M 802011
	87.312	30.162	1.5	3.3	102000	132000	K-3585/K-3525
	87.312	30.162	3.5	3.3	102000	132000	K-3577/K-3525
	88.5	26.988	3.5	1.5	101000	114000	K-419/K-414
	88.9	30.162	3.5	3.3	95200	127000	K-HM 803146/K-HM 803110
	95.25	30.958	1.5	0.8	88000	96500	K-53162/K-53375
	95.25	30.958	1.5	2.3	88000	96500	K-53162/K-53370

Taper roller bearings single row

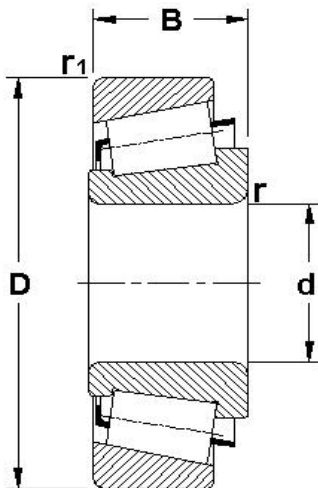
Inch series



Dimensions d mm	D	T	r	r1	Load ratings		Designation
					Dynamic C N	Static Co	
	98.425	30.958	1.5	1.5	88000	96500	K-53162/K-53387 X
	101.6	34.925	3.5	3.3	151000	190000	K-526/K-522
42.862	87.312	30.162	3.5	3.3	102000	132000	K-3579/K-3525
42.875	82.931	23.812	3.5	0.8	80900	106000	K-25577/K-25520
	82.931	26.988	3.5	2.3	80900	106000	K-25577/K-25523
	83.058	23.876	3.5	2	80900	106000	K-25577/K-25522
44.45	73.025	18.258	1.5	1.5	48400	67000	K-L 102849/K-L 102810
	82.931	23.812	3.5	0.8	80900	106000	K-25580/K-25520
	82.931	26.888	3.5	2.3	80900	106000	K-25580/K-25523
	83.058	23.876	3.5	2	80900	106000	K-25580/K-25522
	87.312	30.162	3.5	3.3	102000	132000	K-3578/K-3525
	88.9	30.162	3.5	3.3	95200	127000	K-HM 803149/K-HM 803110
	90.119	23	3.5	2.3	70400	81500	K-355 X/K-352
	92.075	30.1625	3.5	3.3	95200	127000	LM 803149/LM 803112
	93.264	30.162	3.5	3.3	110000	146000	K-3782/K-3720
44.45	95.25	27.783	3.5	2.3	105000	125000	K-438/K-432
	95.25	27.783	0.8	0.8	105000	137000	K-33885/K-33822
	95.25	30.958	1.3	0.8	88000	96500	K-53176/K-53375
	95.25	30.958	1.3	2.3	88000	96500	K-53176/K-53377
	95.25	30.958	2	0.8	88000	96500	K-53178/K-53375
	95.25	30.958	2	2.3	88000	96500	K-53178/K-53377
	95.25	30.958	3.5	0.8	88000	96500	K-53177/K-53375
	95.25	30.958	3.5	0.8	101000	122000	K-HM 903249/K-HM 903210
	98.425	30.958	1.3	1.5	88000	96500	K-53176/K-53387 X
	101.6	34.925	3.5	3.3	151000	190000	K-527/K-522
	107.95	36.512	3.5	3.3	151000	190000	K-535/K-532 X
	111.125	38.1	3.5	3.3	151000	190000	K-535/K-532 A
	120.65	41.275	3.5	3.3	168000	212000	K-615/K-612
44.983	93.264	30.162	3.5	3.3	110000	146000	K-3776/K-3720
44.988	85	20.638	2	1.5	70400	81500	K-358 X/K-354 X
	104.986	23.512	2.5	2.5	110000	146000	K-HM 905843/K-HM 905810

Taper roller bearings single row

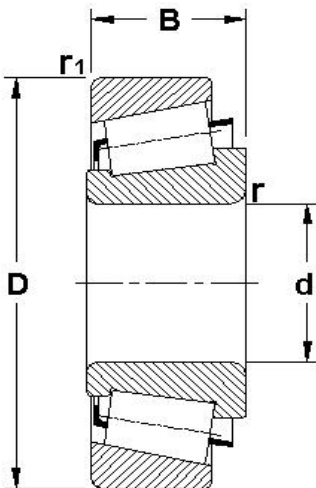
Inch series



Dimensions d mm	D	T	r	r1	Load ratings		Designation
					Dynamic C N	Static Co	
45.242	77.788	19.842	3.5	0.8	53900	69500	K-LM 603049/K-LM 603011
45.618	82.931	23.812	3.5	0.8	80900	106000	K-25590/K-25520
	82.931	26.988	3.5	2.3	80900	106000	K-25590/K-25523
	83.058	23.876	3.5	2	80900	106000	K-25590/K-25522
45.987	74.976	18	2.3	1.5	50100	71000	K-LM 503349/K-LM 503310
	90.975	32	3.5	3.5	121000	156000	K-HM 204049/K-HM 204010
46.038	79.375	17.462	2.8	1.5	49500	62000	K-18690/K-18620
	85	20.638	2.3	1.5	70400	81500	K-359 S/K-354 X
47.625	96.838	21	0.8	0.8	80900	102000	K-386 A/K-382 A
	101.6	34.925	3.5	3.3	151000	190000	K-528/K-522
47.625	101.6	34.925	8	3.3	151000	190000	K-528 R/K-522
	111.125	30.162	3.5	3.3	95200	114000	K-55187/K-55437
	112.712	30.162	3.5	3.3	95200	114000	K-55187/K-55443
49.212	103.188	23.658	3.5	3.3	176000	240000	K-5395/K-5335
	104.775	36.512	3.5	3.3	145000	204000	K-HM 807044/K-HM 807010
50	93.264	30.162	3.5	3.3	110000	146000	50KW01/3720
50.8	85	17.462	3.5	1.5	50100	65500	K-18790/K-18720
	88.9	20.638	3.5	1.3	76500	91500	K-368 A/K-362 A
	90	25	3.5	2	76500	91500	K-368 A/K-362 X
	92.075	24.608	3.5	0.8	85800	118000	K-28580/K-28521
	93.264	30.162	3.5	3.3	110000	146000	K-3780/K-3720
	95.25	27.783	3.5	0.8	105000	137000	K-33889/K-33822
	97.63	24.608	3.5	0.8	89700	129000	K-28678/K-28622
	101.6	34.925	3.5	3.3	151000	190000	K-529 X/K-522
	104.775	29.688	3.5	3.3	157000	224000	K-4580/K-4535
	104.775	30.162	6.4	3.3	130000	173000	K-45284/K-45220
	104.775	36.512	3.5	3.3	145000	204000	K-HM807046/K-HM 807010
	107.95	36.512	3.5	3.3	151000	190000	K-537/K-532 X
	111.125	30.162	3.5	3.3	105000	140000	K-HM907643/K-HM 907614

Taper roller bearings single row

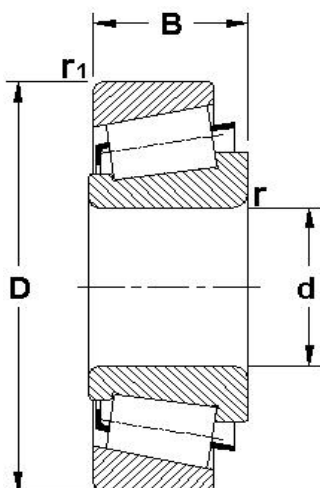
Inch series



Dimensions d mm	D	T	r	r1	Load ratings		Designation
					Dynamic C N	Static Co	
	111.125	30.162	3.5	3.3	95200	114000	K-55200/K-55437
	111.125	38.1	3.5	3.3	151000	190000	K-537/K-532 A
	112.712	30.162	3.5	3.3	95200	114000	K-55200/K-55443
	117.475	33.338	3.5	3.3	128000	150000	K-66200/K-66462
52.388	92.075	24.608	0.8	3.5	85800	118000	28584/28521
53.975	88.9	19.05	2.3	2	583000	78000	K-LM 806649/K-LM 806610
	95.25	27.783	1.5	0.8	105000	137000	K-33895/K-33822
	104.775	36.512	3.5	3.3	145000	204000	K-HM 807049/K-HM 807010
53.975	107.95	36.512	3.5	3.3	151000	190000	K-539/K-532 X
	111.125	38.1	3.5	3.3	151000	190000	K-539/K-532 A
	120.65	41.275	3.5	3.3	168000	212000	K-621/K-612
	123.825	36.512	3.3	3.5	157600	291000	CK 72212/2/SK 72487/3
	127	44.45	3.5	3.3	209000	275000	K-65212/K-65500
55.562	97.63	24.608	3.5	3.5	89700	129000	K-28680/K-28622
	122.238	43.658	1.3	1.3	201000	305000	K-5566/K-5535
57.15	96.838	21	2.3	0.8	80900	102000	K-387/K-382 A
	96.838	21	3.5	0.8	80900	102000	K-387 A/K-382 A
	96.838	21	5	0.8	80900	102000	K-387 AS/K-382 A
	96.838	25.4	2.3	2.3	80900	102000	K-387/K-382 S
	96.838	25.4	3.5	2.3	80900	102000	K-387 A/K-382 S
	96.838	25.4	5	2.3	80900	102000	K-387 AS/K-382 S
	97.63	24.608	3.5	0.8	89700	129000	K-28682/K-28622
	98.425	21	2.3	0.8	80900	102000	K-387/K-382
	98.425	21	3.5	0.8	80900	102000	K-387 A/K-382
	98.425	21	5	0.8	80900	102000	K-387 AS/K-382
	100	21	2.3	2	80900	102000	K-387/K-383 A
	100	21	3.5	2	80900	102000	K-387 A/K-383 A
	100	21	5	2	80900	102000	K-387 AS/K-383 A
	104.775	30.162	2.3	3.3	121000	160000	K-462/K-453 X
	107.95	27.783	2.3	2.3	121000	160000	K-462/K-453 AS
112.712	30.162	8	3.3	142000	204000	K-39581/K-39520	

Taper roller bearings single row

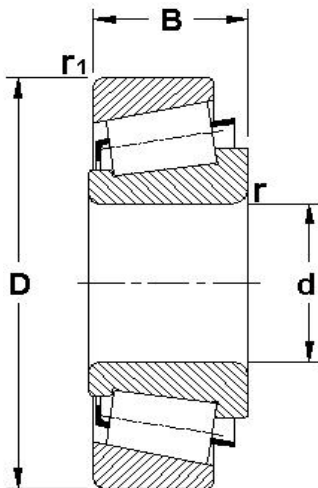
Inch series



Dimensions d mm	D	T	r	r1	Load ratings		Designation
					Dynamic C N	Static Co	
	112.712	30.162	3.5	3.3	142000	204000	K-39580/K-39520
	119.985	32.75	3.5	0.8	142000	204000	K-39580/K-39528
	120.65	41.275	3.5	3.3	212000	186000	K-623/K-612
	127	44.45	3.5	3.3	209000	275000	K-65225/K-65500
57.531	96.838	21	3.5	0.8	80900	102000	K-388 A/K-382 A
	96.838	25.4	3.5	2.3	80900	102000	K-388 A/K-382 S
	98.425	21	3.5	0.8	80900	102000	K-388 A/K-382
	100	21	3.5	2	80900	102000	K-388 A/K-383 A
60.325	100	25.4	3.5	3.3	85800	125000	K-28985/K-28921
	101.6	25.4	3.5	3.3	85800	125000	K-28985/K-28920
	127	36.512	3.5	1.5	165000	236000	K-HM 813841/K-HM 813811
	127	44.45	3.5	3.3	209000	275000	K-65237/K-65500
	130.175	36.512	5	3.3	151000	180000	K-HM 9112245/K-HM 911210
61.912	136.525	46.038	3.5	3.3	229000	375000	K-H 715334/K-H 715311
	146.05	41.275	3.5	3.3	198000	236000	K-H 913842/K-H 913810
	146.05	41.275	7	3.3	198000	236000	K-H 913843/K-H 913810
63.5	104.775	21.433	2	2	85800	112000	K-39250/K39412
	107.95	25.4	3.5	3.3	89700	137000	K-29585/K-29520
	110	22	3.5	1.3	88000	118000	K-395/K-394 A
	112.712	30.162	3.5	3.3	142000	204000	K-39585/K-39520
	112.712	30.162	3.5	3.3	123000	183000	K-3982/K-3920
	123.825	38.1	3.5	3.3	173000	240000	K-559/K-552 A
	130	37.2	3	3.6	194300	370000	565XL/562SL
65.088	135.755	53.975	3.5	3.3	286000	400000	K-6379/K-6320
65.987	123.975	41.5	7	3.5	224000	310000	K-H 212749/K-H 212710
66.675	110	22	0.8	1.3	88000	118000	K-395 A/K-394 A
	110	22	3.5	1.3	88000	118000	K-395 S/K-394 A
	110	25.4	3.5	1.3	89700	137000	K-29590/K-29521
	112.712	30.162	3.5	3.3	123000	183000	K-3984/K-3920
	112.712	30.162	3.5	0.8	123000	183000	K-3984/K-3925

Taper roller bearings single row

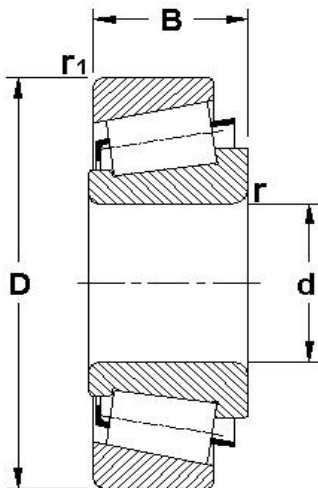
Inch series



Dimensions d mm	D	T	r	r1	Load ratings		Designation
					Dynamic C N	Static Co	
	112.712	30.162	3.5	3.3	142000	204000	K-39590/K-39520
	117.475	30.162	3.5	3.3	123000	190000	K-33262/K-33462
66.675	120	29.794	3.5	0.8	123000	190000	K-33262/K-33472
	123.825	38.1	3.5	3.3	172000	240000	K-560/K-552 A
	135.755	53.975	4.3	3.3	286000	400000	K-6386/K-6320
	136.525	41.275	3.5	3.3	194000	260000	K-641/K-632
68.262	110	22	2.3	1.3	88000	118000	K-399 A/K-394 A
	136.525	46.038	3.5	3.3	229000	375000	K-H 715343/K-H 715311
	161.925	49.212	3.5	3.3	260000	335000	K-9278/K-9220
69.85	99.217	17	1.5	1.5	46800	76500	K-LL 713149/K-LL 713110
	112.712	25.4	1.5	3.3	99000	156000	K-29675/K-29620
	117.475	30.162	3.5	3.3	123000	190000	K-33275/K-33462
	120	29.794	3.5	0.8	123000	190000	K-33275/K-33472
	120	29.794	3.5	2	132000	186000	K-482/K-472
	120	32.545	3.5	3.3	154000	228000	K-47487/K-47420
	123.825	30.162	3.5	3.3	132000	186000	K-482/K-472 X
	127	36.512	3.5	3.3	176000	255000	K-566/K-563
70	120	29.794	2	2	132000	186000	K-484/K-472
71.438	117.475	30.162	3.5	3.3	123000	190000	K-33281/K-33462
	120	29.794	3.5	0.8	123000	190000	K-33281/K-33472
	120	32.545	3.5	3.3	154000	228000	K-47490/K-47420
	127	36.512	3.5	1.5	165000	236000	K-HM 813849/K-813811
	136.525	41.275	6.4	3.3	194000	260000	K-645/K-632
	136.525	41.275	3.5	3.3	224000	290000	K-H 414249/K-H 414210
	136.525	46.038	3.5	3.3	229000	375000	K-H 715345/K-H 715311
73.025	112.712	25.4	3.5	3.3	99000	156000	K-29685/K-29620
	117.475	30.162	3.5	3.3	123000	190000	K-33287/K-33462
	120	29.794	3.5	0.8	123000	190000	K-33287/K-33472
	127	36.512	3.5	3.3	176000	255000	K-567/K-563
	127	36.512	4.8	3.3	176000	255000	K-567 X/K-563

Taper roller bearings single row

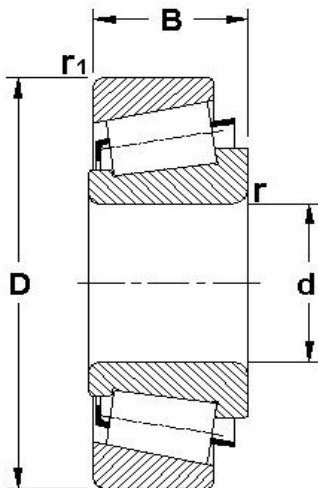
Inch series



Dimensions d mm	D	T	r	r1	Load ratings		Designation
					Dynamic C N	Static Co	
76.2	109.538	19.05	1.5	1.5	58300	102000	K-L 814749/K-L 814710
	127	30.162	3.5	3.3	138000	204000	K-42687/K-42620
	127	30.162	6.4	3.3	138000	204000	K-42688/K-42620
	133.35	30.162	6.4	3.3	145000	220000	K-495 AX/K-492 A
	133.35	30.162	3.5	3.3	145000	220000	K-495 A/K-492 A
	133.35	33.338	6.4	3.3	165000	260000	K-47678/K-47620
	136.525	30.162	3.5	3.3	145000	220000	K-495 A/K-493
	136.525	30.162	6.4	3.3	145000	220000	K-495 AX/K-493
	139.7	36.512	3.5	3.3	187000	280000	K-575/K-572 X
	139.992	36.512	3.5	3.3	187000	280000	K-575/K-572
	146.05	41.275	3.5	3.3	220000	320000	K-659/K-653
	150.089	44.45	3.5	3.3	286000	405000	K-748 S/K-742
	152.4	41.275	3.5	3.3	220000	320000	K-659/K-652
161.925	49.212	3.5	3.3	260000	335000	K-9285/K-9220	
77.788	117.475	25.4	3.5	3.3	101000	163000	K-LM 814849/K-LM 814810
80.962	133.35	30.162	3.5	3.3	145000	220000	K-496/K-492 A
	136.525	30.162	3.5	3.3	145000	220000	K-496/K-493
82.55	125.412	25.4	3.5	1.5	112000	186000	K-27687/K-27620
	133.35	30.162	3.5	3.3	145000	220000	K-495/K-492 A
	133.35	33.338	3.5	3.3	165000	260000	K-47686/K-47620
	136.525	30.162	3.5	3.3	145000	220000	K-495/K-493
	139.7	36.512	3.5	3.3	187000	280000	C-580/K-572 X
	139.992	36.512	3.5	3.3	187000	280000	K-580/K-572
	139.992	36.512	6.8	3.3	187000	280000	K-582/K-572
	146.05	41.275	3.5	3.3	220000	320000	K-663/K-653
	150.089	44.45	3.5	3.3	286000	405000	K-749 A/K-742
	152.4	41.275	3.5	3.3	220000	320000	K-663/K-652
83.345	125.412	25.4	3.5	1.5	112000	186000	K-27690/K-27620
84.138	133.35	30.162	3.5	3.3	145000	220000	K-498/K-492 A
	136.525	30.162	3.5	3.3	145000	220000	K-498/K-493
85.026	150.089	44.45	3.5	3.3	286000	405000	K-749/K-742

Taper roller bearings single row

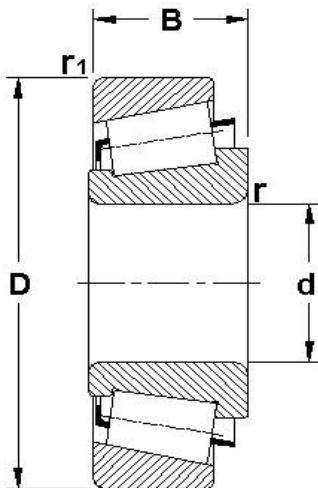
Inch series



Dimensions d mm	D	T	r	r1	Load ratings		Designation
					Dynamic C N	Static Co	
85.725	133.35	30.162	3.5	3.3	145000	220000	K-497/K-492 A
	136.525	30.162	3.5	3.3	145000	220000	K-497/K-493
	142.138	42.862	4.8	3	224000	375000	K-H 617049/K-H 617010
	146.05	41.275	3.5	3.3	220000	320000	K-665/K-653
	152.04	41.275	3.5	3.3	220000	320000	K-665/K-652
88.9	152.4	39.688	3.5	3.3	194000	305000	K-593/K-592 A
	152.4	39.688	6.4	3.3	242000	355000	K-HM 518445/K-HM518410
	161.925	47.625	3.5	3.3	275000	390000	K-759/K-752
	161.925	53.975	3.5	3.3	330000	510000	K-6580/K-6535
89.974	146.975	40	7	3.5	229000	355000	K-HM 218248/K-HM 218210
	161.925	53.975	3	3.3	330000	510000	K-6581 X/K-6535
92.075	146.05	33.338	3.5	3.3	165000	270000	K-47890/K-47820
	150	35.992	6.4	3	194000	305000	K-598 A/K-593 X
	152.4	39.688	3.5	3.3	194000	305000	K-598 /K-592 A
	152.4	39.688	6.4	3.3	194000	305000	K-598 A/K-592 A
93.662	148.43	28.575	3	3	130000	196000	K-42368/K-42584
95.25	128.588	15.875	1.5	1.5	98300	95000	K-LL 319349/K-LL 319310
	146.05	33.338	3.5	3.3	165000	270000	K-47896/K-47820
	152.4	39.688	3.5	3.3	194000	305000	K-594/K-592 A
	152.4	39.688	5	3.3	194000	305000	K-594 A/K-592 A
	168.275	41.275	3.5	3.3	233000	365000	K-683/K-672
96.838	148.43	28.575	3.5	3	130000	196000	K-42381/K-42584
99.975	156.975	42	8	3.5	246000	400000	K-HM 220149/K-HM 220110
101.6	157.162	36.512	3.5	3.3	201000	335000	K-52400/K-52618
	157.162	36.512	8	3.3	201000	335000	K-52401/K-52618
	168.275	41.275	3.5	3.3	233000	365000	K-687/K-672
	190.5	57.15	8	3.3	402000	600000	K-861/K-854
	190.5	57.15	8	3.3	440000	630000	K-HH 221449/K-HH 221410
104.775	180.975	47.625	3.5	3.3	308000	480000	K-782/K-772

Taper roller bearings single row

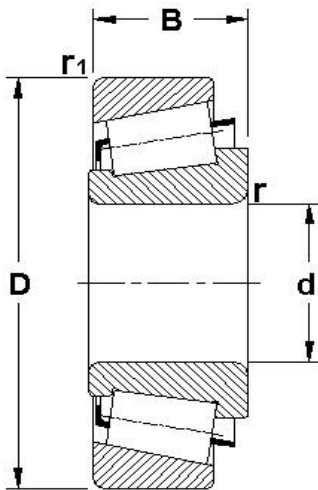
Inch series



Dimensions d mm	D	T	r	r1	Load ratings		Designation
					Dynamic C N	Static Co	
106.362	165.1	36.512	3.5	3.3	209000	355000	K-56418/K-56650
107.95	158.75	23.02	3.5	3.3	101000	163000	K-37425/K-37625
	161.925	34.925	3.5	3.3	183000	320000	K-48190/K-48120
	165.1	36.512	3.5	3.3	209000	355000	K-56425/K-56650
114.3	177.8	41.275	3.5	3.3	251000	415000	K-64450/K-64700
	180.975	34.925	3.5	3.3	183000	280000	K-68450/K-68712
	190.5	47.625	3.5	3.3	319000	520000	K-71450/K-71750
	212.725	66.675	7	3.3	512000	765000	K-938/K-932
114.976	177.8	41.275	9	3.3	251000	415000	K-64452/K-64700
117.475	180.975	34.925	3.5	3.3	183000	280000	K-68462/K-68712
120.65	190.5	46.038	3.5	1.5	314000	540000	K-HM 624749/K-HM 624710
127	169.862	25.4	1.5	1.5	132000	265000	K-L 225849/K-L 225810
	182.562	39.688	3.5	3.3	229000	440000	K-48290/K-48220
	196.85	46.038	3.5	3.3	319000	585000	K-67388/K-37322
	228.6	53.975	3.5	3.3	418000	620000	K-HM 926747/K-HM 926710
133.35	196.85	46.038	3.5	3.3	319000	585000	K-67390/K-37322
	234.95	63.5	9.7	3.3	550000	900000	K-95525/K-95625
	234.95	63.5	4.8	3.3	550000	900000	K-95528/K-95925
136.525	190.5	39.688	5.5	3.3	246000	500000	K-48393/K-48320
146.05	193.675	28.575	1.5	1.5	176000	360000	K-36690/K-36620
	193.675	28.575	4.8	1.5	176000	360000	K-36691/K-36620
152.4	254	66.675	7	3.3	583000	980000	K-99600/K-99100
158.75	225.425	41.275	3.5	3.3	264000	585000	K-46780/K-46720
165.1	225.425	41.275	3.5	3.3	264000	585000	K-46790/K-46720
	336.5	92.075	3.3	6.4	1120000	1700000	K-HH 437549/K-HH 437510
177.8	260.35	53.975	3.5	3.3	484000	900000	K-M 236849/K-M 236810
178.595	265.112	51.595	3.3	3.3	495000	880000	K-M 336948/K-M 336912

Taper roller bearings single row

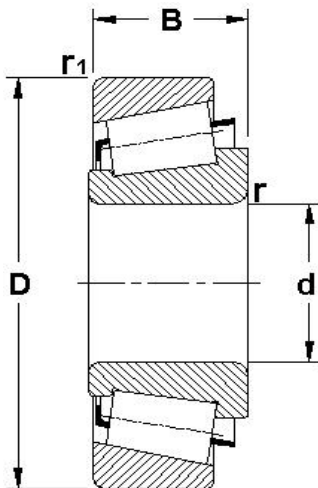
Inch series



Dimensions d mm	D	T	r	r1	Load ratings		Designation
					Dynamic C N	Static Co	
179.934	265.12	51.595	3.3	3.3	495000	880000	K-M 336949/K-M 336912
190.5	266.7	47.625	3.5	3.3	374000	800000	K-67885/K-67820
	282.575	50.8	3.5	3.3	402000	695000	K-87750/K-87111
200.025	276.225	42.862	3.5	3.3	391000	780000	K-LM 241147/K-LM 241110
203.2	282.575	46.038	3.5	3.3	380000	830000	K-67983/K-67920
203.987	276.225	42.662	3.5	3.3	391000	780000	K-LM 241148/K-LM 241110
206.375	282.575	46.038	3.5	3.3	380000	830000	K-67985/K-67920
	336.55	98.425	3.3	3.3	1140000	2160000	K-H 242649/K-H 242610
215.9	285.75	46.038	3.5	3.3	352000	780000	K-LM 742749/K-LM 742710
216.408	285.75	46.038	3.5	3.3	352000	780000	K-LM 742747/K-LM 742710
216.713	285.75	46.038	3.5	3.3	352000	780000	K-LM 742747 A/K-LM 742710
220.116	317.5	47.625	3.3	3.3	523000	980000	K-LM 245832/K-LM 245810
220.878	317.5	47.625	3.3	3.3	523000	980000	K-LM 245833/K-LM 245810
230.138	317.5	47.625	3.3	3.3	523000	980000	K-LM 245846/K-LM 245810
231.775	317.5	47.625	3.3	3.3	523000	980000	K-LM 245848/K-LM 245810
257.175	342.9	57.15	6.4	3.3	660000	1400000	K-M 349549/K-M 349510
263.525	325.438	28.575	1.5	1.5	220000	550000	K-38880/K-38820
265	355.6	57.15	3.5	3.3	644000	1400000	K-LM 451347/K-LM 451310
266.7	355.6	57.15	3.5	3.3	644000	1400000	K-LM 451349/K-LM 451310
330.2	482.6	85.725	6.4	3.3	1210000	2500000	K-EE 526130/K-526190
343.154	450.85	66.675	8.4	3.5	935000	2200000	K-LM 361649 A/K-LM 361610
381	479.425	49.212	6.4	3.3	594000	1500000	K-L 865547/K-L 865512
406.4	762	180.975	12.7	12.7	3690000	6100000	K-H 969249/K-H 969210

Taper roller bearings single row

Inch series



Dimensions d mm	D	T	r	r1	Load ratings		Designation
					Dynamic C N	Static Co	
447.675	635	120.65	6.4	6.4	2380000	5500000	K-M 270749/K-M 270710
482.6	634.873	80.962	6.4	3.3	1470000	3650000	K-EE 243190/K-243250
498.475	634.873	80.962	6.4	3.3	1470000	3650000	K-EE 243196/K-243250
520.7	736.6	88.9	6.4	3.3	1650000	3350000	K-EE 982051/K-982900
536.575	761.873	146.05	6.4	6.4	3360000	8000000	K-M 276449/K-M 276410
558.8	736.6	88.108	6.4	6.4	1830000	4150000	K-EE 843220/K-843290
558.8	736.6	104.775	6.4	6.4	2330000	5700000	K-LM 377449/K-LM 377410
609.6	787.4	93.662	6.4	6.4	2160000	5300000	K-EE 649240 AS/K-649310
685.8	876.3	93.662	6.4	6.4	2120000	5500000	K-EE 655270/K-655345
759.925	889	69.85	3.3	3.3	1230000	3800000	K-LL 483448/K-LL 483418
	889	88.9	3.3	3.3	1940000	6200000	K-L 183448/K-L 133410
762	889	69.85	3.3	3.3	1230000	3800000	K-LL 483449/K-LL 483418
	889	88.9	3.3	3.3	1940000	6200000	K-L 183449/K-L 183410
801.688	914.4	58.738	3.5	3.3	1100000	3550000	K-LL 584449/K-LL 584410