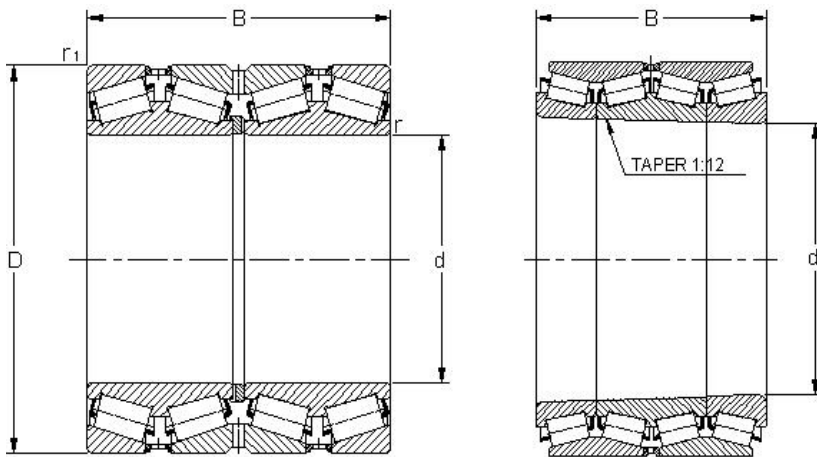


Four row taper roller bearings



TQO

TQIT

s Dimensions d mm	D	B	r	r1	Load ratings		Designation	Design
					Dynamic C N	Static Co		
95.25	136.525	122.235	0.8	2.3	452600	553500	LM 119348 D/11/11 D	TQO
127	182.56	158.75	1.5	3.3	746700	1014100	48290 DW/220/220 D	TQO
177	247.65	192.09	1.5	3.3	1003800	2773900	67790 D/20/21 D	TQO
180.84	284.16	239.72	3.3	3.3	1473200	3662700	M 240631 T/611 TD/611 D	TQIT
206.375	282.375	190.5	0.8	3.3	1390200	2160900	67986 DW/20/21 D	TQO
220	340	305	3	3	2522200	5760800	2077144	TQO
220.66	314.33	239.71	1.5	3.3	2057700	2856900	M 244249 D/210/210 D	TQO
244.475	327.475	193.675	1.5	3.3	1685700	2429700	LM 247748 D/710/710 D	TQO
260.35	422.275	317.5	6.4	3.3	3661300	5161800	HMC 252349 D/310/310 D	TQO
266.7	355.6	228.6	1.5	3.3	1835200	5324400	LM 451349 DW/10/10 D	TQO
280	460	324	5	5	2800000	3840000	1077756	TQO
285.75	380.898	244.475	1.5	3.3	2614800	4007200	LM 654648 DW/610/610 D	TQO
288.93	406.4	298.45	3.3	3.3	3684600	5362200	M 255449 D/410/410 D	TQO
300	460	390	4	4	3240000	5070000	2077160	TQO
317.5	447.675	327.025	3.3	3.3	4960600	7280000	HM 259049 D/10/10 D	TQO
343.052	457.098	252.5	1.5	3.3	2388000	6780000	LM 761649 DW/610/610 D	TQO
347.66	469.9	292.1	3.3	3.3	3989900	5676400	HM 262449 DW/410/410 D	TQO
368.3	523.88	382.59	3.3	6.4	6949100	10245700	M 265049 DW/010/010 D	TQO
384.175	546.1	400.05	3.3	6.4	6981200	9950200	HM 266449 DW/410/410 D	TQO
406.4	546.1	288.92	1.5	6.4	3576800	10589900	LM 767749 DW/10/10 D	TQO
450	595	368	3	6	7209000	10603500	M 270449 DW/410/410 D	TQO
480	700	420	6	2.5	5468000	15466600	577796	TQIT
500	720	420	8	8	5660000	9050000	771/500	TQO
630	920	515	8	8	8790000	14600000	771/630	TQO