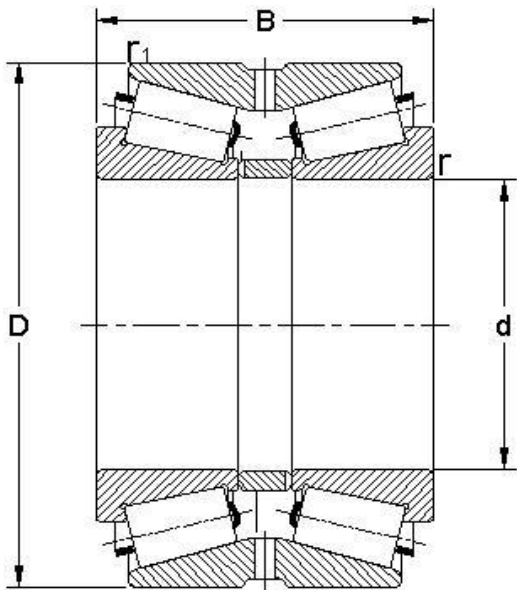
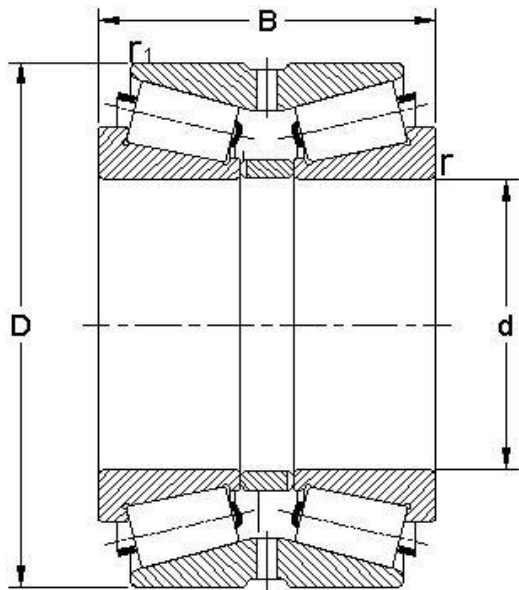


Double row taper roller bearings



d mm	Dimensions				Load ratings		Designation
	D	B	r	r1	Dynamic C N	Static Co	
30	62	50	1	0.6	58700	54000	97506
40	80	55	1.5	1	91200	87900	97508
45	85	55	1.5	1	86700	83600	97509
50	90	55	1.5	1	100000	107000	97510
55	100	60	2	1	122000	121000	97511
60	110	65	2	1	141000	148000	97512
70	125	75	2	1	185000	199000	97514
75	130	75	2	1	193000	212000	97515
80	140	80	2.5	1	224000	246000	97516
90	160	96	2.5	1	294000	336000	97518
95	170	108	3	1	380000	440000	97519
100	180	83	3	1	457000	1124100	430220
	180	112	3	1	391000	462000	97520
105	190	118	3	1	455000	546000	97521
120	200	110	2.5	0.6	429000	517000	2097724
	215	136	3	1	591000	744000	97524
130	210	110	2.5	0.6	475000	599000	2097726
	230	149	4	1.5	650000	841000	97526
150	210	85	2.5	0.6	270000	3900000	2097930
	250	138	3	1	667000	838000	2097730
	270	172	4	1.5	924000	1180000	97530
160	270	150	3	1	791000	1050000	2097732

Double row taper roller bearings



d mm	Dimensions				Load ratings		Designation
	D	B	r	r1	Dynamic C N	Static Co	
180	250	95	2.5	0.6	417000	583000	2097936
	280	134	2.5	1	715000	950000	2097136
	300	164	4	1.5	958000	1290000	2097736
190	260	95	2.5	0.6	431000	618000	2097938
	320	172	4	1.5	991000	1300000	2097738
200	280	118	3	1	545000	8200000	2097940
	310	151	3	1	857000	1210000	2097140
	340	183	4	1.5	1250000	1680000	2097740
220	300	110	3	1	577000	900000	2097944
	340	165	4	1.5	1030000	1400000	2097144
	370	200	5	1.5	1400000	1870000	2097744
240	320	109	3	1	585000	927000	2097948
	340	165	4	1	1030000	1400000	2097148
	400	210	5	1.5	1580000	2170000	2097748
260	360	136	3	1	850000	1280000	2097952
	400	186	5	1.5	1350000	1960000	2097152
	440	225	5	1.5	1920000	2590000	2097752
280	420	189	5	1.5	1420000	2030000	2097156
300	420	160	4	1	1260000	1800000	2097960
340	460	160	4	1	1350000	2000000	2097968
360	480	160	4	1	1390000	2090000	2097972