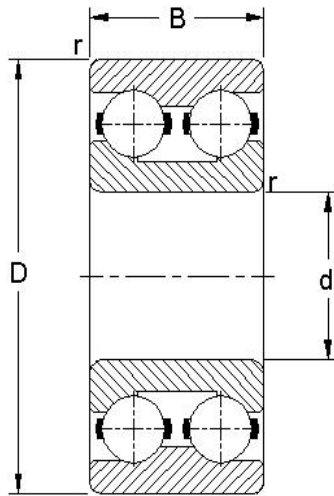
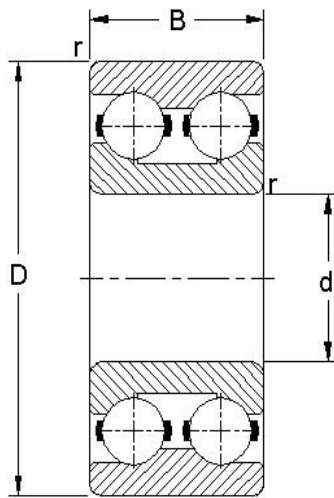


Angular contact ball bearings double row



Dimensions				Load ratings		Designation	ZZ	2RS	M	POLYAMIDE CAGE
d mm	D	B	r	Dynamic C N	Static Co					
15	35	15.9	0.6	11200	6800	3202	*	*		
	42	19	1	15100	9150	3302	*	*		
17	40	17.5	0.6	14000	8650	3203	*	*		
	47	22.2	1	21200	12500	3303	*	*		
20	47	20.6	1	18600	12000	3204	*	*		
	52	22.2	1.1	22100	14300	3304	*	*		*
25	52	20.6	1	20300	14000	3205	*	*		*
	62	25.4	1.1	31200	20800	3305	*	*		
30	62	23.8	1	28100	20000	3206	*	*		
	72	30.2	1.1	45700	42500	3306	*	*		
35	72	27	1.1	37100	27500	3207	*	*		
	80	34.9	1.5	53900	51000	3307	*	*		
40	80	30.2	1.1	44900	33500	3208	*	*		
	90	36.5	1.5	66000	64000	3308	*	*		
45	85	30.2	1.1	47500	38000	3209	*	*		
	100	39.7	1.5	72100	73500	3309			*	
50	90	30.2	1.1	47500	39000	3210	*	*		
	110	44.4	2	88000	96500	3310				
55	100	33.3	1.5	57200	67000	3211				
	120	49.2	2	95200	108000	3311				
60	110	36.5	1.5	72100	85000	3212				
	130	54	2.1	112000	127000	3312				
65	120	38.1	1.5	78100	95000	3213				
	140	58.7	2.1	128000	150000	3313				
70	125	39.7	1.5	76500	98000	3214	*	*		*
	150	63.5	2.1	147000	173000	3314				

Angular contact ball bearings double row



Dimensions				Load ratings		Designation	ZZ	2RS	M	POLYAMIDE CAGE
d mm	D	B	r	Dynamic C N	Static Co					
75	130	41.3	1.5	84200	110000	3215				
	160	68.3	2.1	157000	186000	3315			*	
80	140	44.45	2	101000	134000	3216	*	*		*
	170	68.3	2.1	176000	212000	3316			*	
85	150	49.2	2	110000	146000	3217	*	*		*
	180	73	3	194000	240000	3317			*	
90	160	52.4	2	128000	173000	3218	*	*		*
	190	73	3	220000	285000	3318			*	
95	170	55.6	2.1	147000	204000	3219				
	200	77.8	3	238000	315000	3319			*	
100	180	60.3	2.1	157000	220000	3220				
	215	82.6	3	255000	355000	3320			*	
105	225	87.3	3	29800	387700	3321			*	
110	200	69.8	2.1	190000	270000	3222			*	
	240	92.1	3	292000	425000	3322			*	
120	215	76	2.1	250000	279000	3224			*	