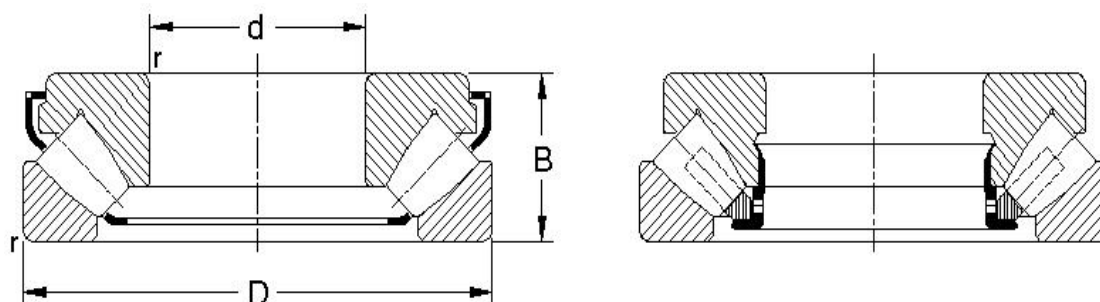
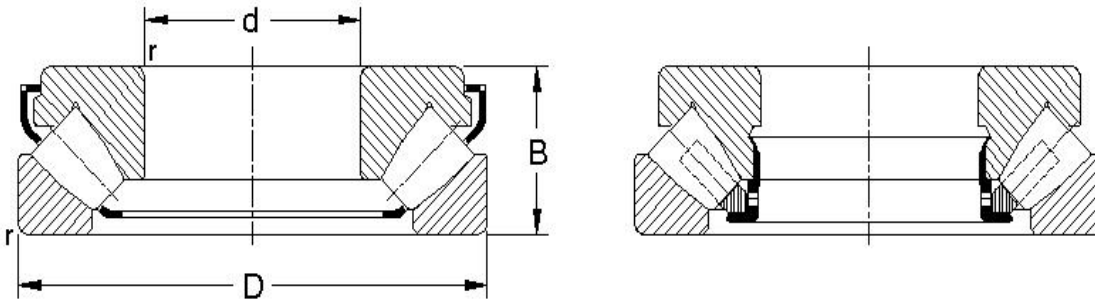


Spherical roller thrust bearings



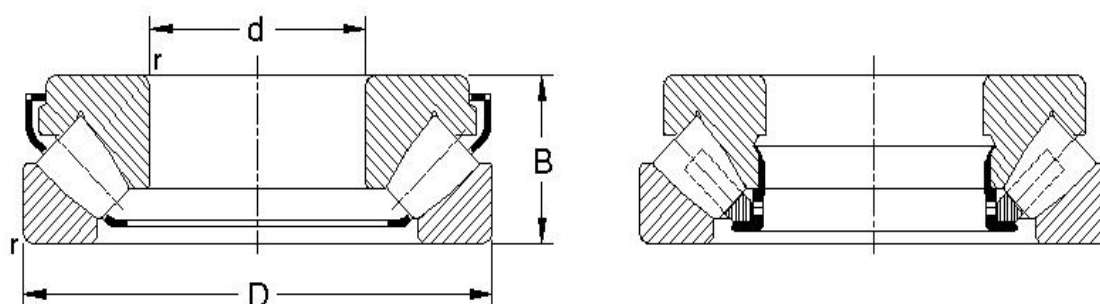
Dimension	Dimension	Dimension	Dimension	Load ratings		Designation	M
				Dynamic	Static		
d	D	B	r	C	Co		
mm				N			
60	130	42	1.5	345000	915000	29412 E	*
65	140	45	2	397000	1080000	29413 E	*
70	150	48	2	449000	1250000	29414 E	*
75	160	51	2	518000	1430000	29415 E	*
80	170	54	2.1	575000	1630000	29416 E	*
85	150	39	1.5	334000	1060000	29317 E	*
	180	58	2.1	633000	1800000	29417 E	*
90	155	39	1.5	345000	1080000	29318 E	*
	190	60	2.1	702000	2000000	29418 E	*
100	170	42	1.5	408000	1290000	29320 E	*
	210	67	3	863000	2500000	29420 E	*
110	190	48	2	535000	1730000	29322 E	*
	230	73	3	1010000	3000000	29422 E	*
120	210	54	2.1	656000	2120000	29324 E	*
	250	78	4	1170000	3450000	29424 E	*
130	225	58	2.1	753000	2500000	29326 E	*
	270	85	4	1380000	4050000	29426 E	*
140	240	60	2.1	845000	2850000	29328 E	*
	280	85	4	1400000	4300000	29428 E	*
150	215	39	1.5	345000	1370000	29230	*
	250	60	2.1	863000	2850000	29330 E	*
	300	90	4	1610000	5100000	29430 E	*
160	225	39	1.5	357000	1460000	29232	*
	270	67	3	1010000	3450000	29332 E	*
	320	95	5	1790000	5600000	29432 E	*
170	240	42	1.5	408000	1660000	29234	*
	280	67	3	1050000	3550000	29334 E	*
	340	103	5	2020000	6550000	29434 E	*

Spherical roller thrust bearings



Dimension d mm	D	B	r	Load ratings		Designation	M
				Dynamic C N	Static Co		
180	250	42	1.5	420000	1760000	29236	*
	300	73	3	1240000	4300000	29336 E	*
	360	109	5	2250000	7350000	29436 E	*
190	270	48	2	518000	2200000	29238 E	*
	320	78	4	1400000	4750000	29338 E	*
	380	115	5	2480000	8000000	29438 E	*
200	280	48	2	535000	2280000	29240	*
	340	85	4	1610000	5500000	29340 E	*
	400	122	5	2760000	9000000	29440 E	*
220	300	48	2	546000	2400000	29244	*
	360	85	4	1730000	6300000	29344 E	*
	420	122	6	2880000	9650000	29444 E	*
240	340	60	2.1	799000	3450000	29248	*
	380	85	4	1790000	6550000	29348 E	*
	440	122	6	2990000	10200000	29448 E	*
260	360	60	2.1	817000	3650000	29252	*
	420	95	5	2220000	8300000	29352 E	*
	480	132	6	3510000	12900000	29452 E	*
280	380	60	2.1	863000	4000000	29256	*
	440	95	5	2190000	8650000	29356 E	*
	520	145	6	4310000	15300000	29456 E	*
300	420	73	3	1070000	4800000	29260	*
	480	109	5	2670000	10600000	29360 E	*
	540	145	6	4370000	16600000	29460 E	*
320	440	73	3	1110000	5100000	29264	*
	500	109	5	2880000	11200000	29364 E	*
	580	155	7.5	4950000	19000000	29464 E	*
340	460	73	3	1130000	5400000	29268	*
	540	122	5	2710000	11000000	29368	*
	620	170	7.5	5750000	22400000	29468 E	*

Spherical roller thrust bearings



d mm	Dimension		r	Load ratings		Designation	M
	D	B		Dynamic C N	Static Co		
360	500	85	4	1460000	6800000	29272	*
	560	122	5	2760000	11600000	29372	*
	640	170	7.5	5350000	21200000	29472 E	*
380	520	85	4	1580000	7650000	29276	*
	600	132	6	3340000	14000000	29376	*
	670	175	7.5	5870000	24000000	29476 E	*
400	540	85	4	1610000	8000000	29280	*
	620	132	6	3450000	14600000	29380	*
	710	185	7.5	6560000	26500000	29480 E	*
420	580	95	4	1990000	9800000	29284	*
	650	140	6	3740000	16000000	29384	*
	730	185	7.5	6730000	27500000	29484 E	*
440	600	95	5	2070000	10400000	29288	*
	680	145	6	4490000	19300000	29388	*
	780	206	9.5	7820000	32000000	29488 E	*
460	620	95	5	2070000	10600000	29292	*
	710	150	6	4310000	19000000	29392	*
	800	206	9.5	7990000	33500000	29492 E	*
480	650	103	5	2350000	11800000	29296	*
	730	150	6	4370000	19600000	29396	*
	850	224	9.5	9550000	39000000	29496 E	*