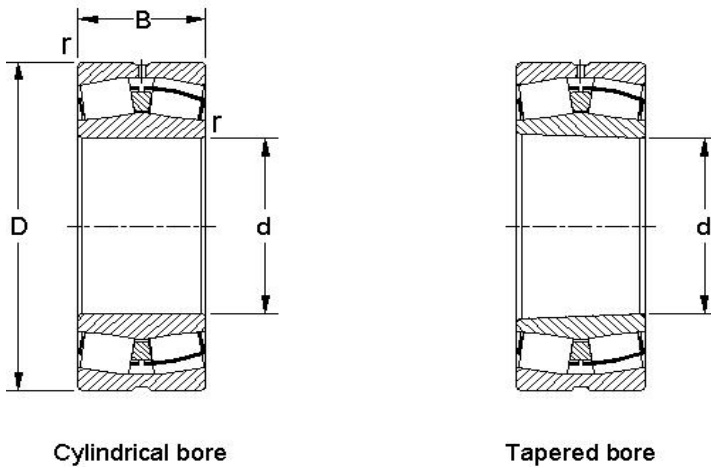


Spherical roller bearings

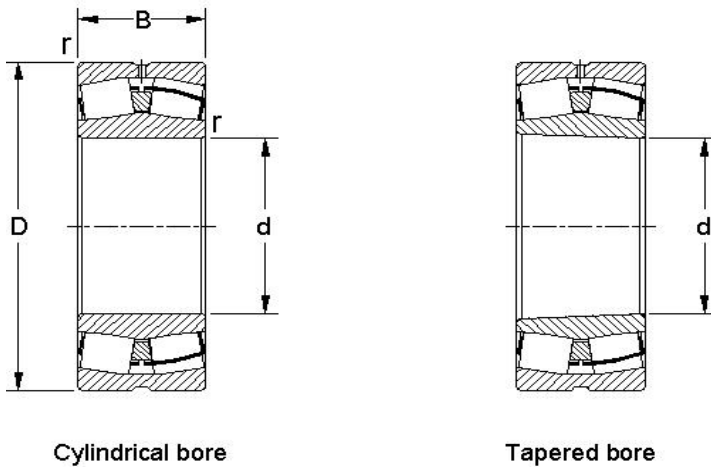


Cylindrical bore

Tapered bore

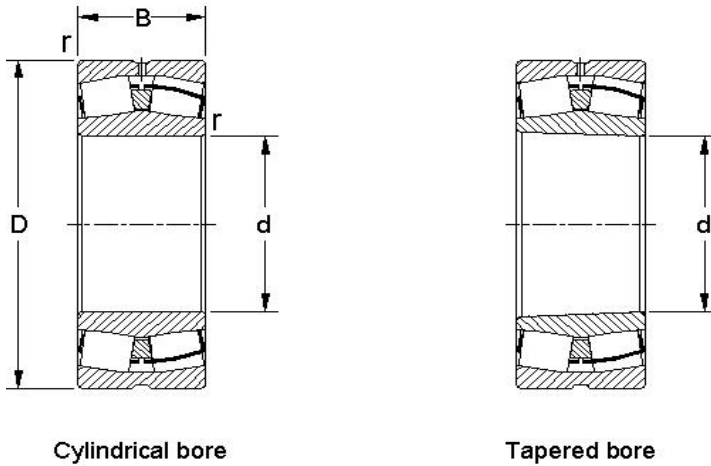
Dimensions				Load ratings		Designation	K 12	K 30	M
d	D	B	r	Dynamic C	Static Co				
mm				N					
20	52	15	1.1	30500	30500	21304 CC/W33	*		
25	52	18	1	35700	35700	22205 CC/W33	*		
	62	17	1.1	41400	41500	21305 CC/W33	*		
30	62	20	1	48900	52000	22206 CC/W33	*		
	72	19	1.1	55200	61000	21306 CC/W33	*		
35	72	23	1.1	67300	73500	22207 CC/W33	*		
	80	21	1.5	65600	72000	21307 CC/W33	*		
	80	31	1.5	89400	165400	22307 CC/W33	*		*
40	80	23	1.1	73600	81500	22208 CC/W33	*		
	90	23	1.5	82800	98000	21308 CC/W33	*		
	90	33	1.5	115000	122000	22308 CC/W33	*		*
45	85	23	1.1	77100	88000	22209 CC/W33	*		
	100	25	1.5	101000	114000	21309 CC/W33	*		
	100	36	1.5	138000	160000	22309 CC/W33	*		
50	90	23	1.1	84500	100000	22210 CC/W33	*		
	110	27	2	120000	140000	21310 CC/W33	*		
	110	40	2	176000	200000	22310 CC/W33	*		
55	100	25	1.5	99500	118000	22211 CC/W33	*		
	120	29	2	138000	163000	21311 CC/W33	*		
	120	43	2	199000	232000	22311 CC W33	*		
60	110	28	1.5	122000	146000	22212 CC/W33	*		
	130	31	2.1	161000	200000	21312 CC/W33	*		
	130	46	2.1	235000	280000	22312 CC/W33	*		
65	120	31	1.5	148000	183000	22213 CC/W33	*		
	140	33	2.1	184000	240000	21313 CC/W33	*		
	140	48	2.1	253000	300000	22313 CC/W33	*		
70	125	31	1.5	148000	186000	22214 CC/W33	*		

Spherical roller bearings



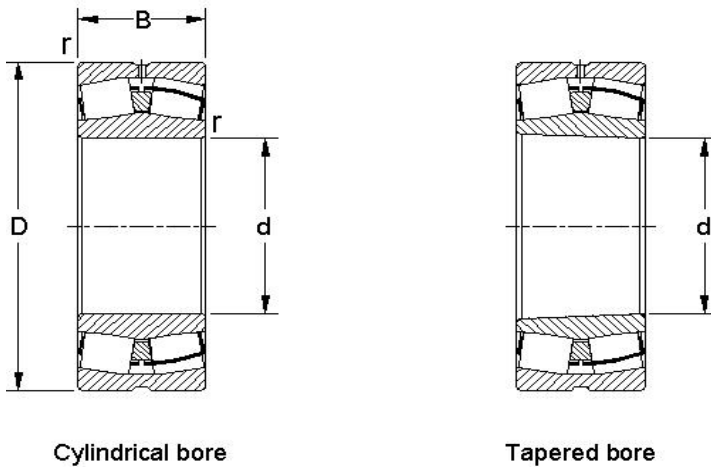
d mm	Dimensions			Load ratings		Designation	K 12	K 30	M
	D	B	r	Dynamic C N	Static Co				
	150	35	2.1	207000	260000	21314 CC/W33	*		
	150	51	2.1	311000	380000	22314 CC/W33	*		
75	130	31	1.5	158000	208000	22215 CC/W33	*		
	160	37	2.1	235000	300000	21315 CC/W33	*		*
	160	55	2.1	345000	430000	22315 CC/W33	*		
80	140	33	2	176000	228000	22216 CC/W33	*		
	170	39	2.1	258000	335000	21316 CC W33	*		*
	170	58	2.1	374000	455000	22316 CC/W33	*		
85	150	36	2	210000	270000	22217 CC/W33	*		
	180	41	3	293000	375000	21317 CC/W33	*		
	180	60	3	420000	520000	22317 CC/W33	*		
90	160	40	2	253000	340000	22218 CC/W33	*		
	160	52.4	2	311000	440000	23218 CC/W33	*		
	190	43	3	322000	425000	21318 CC/W33	*		
	190	64	3	477000	610000	22318 CC/W33	*		
95	170	43	2.1	282000	375000	22219 CC/W33	*		
	200	45	3	351000	480000	21319 CC/W33	*		
	200	67	3	518000	670000	22319 CC/W33	*		
100	165	52	2	322000	490000	23120 CC/W33	*		*
	180	46	2.1	311000	415000	22220 CC/W33	*		
	180	60.3	2.1	414000	600000	23220 CC/W33	*		
	215	47	3	385000	530000	21320 CC/W33	*		
	215	73	3	610000	800000	22320 CC/W33	*		*
110	170	45	2	267000	440000	23022 CC/W33	*		
	180	56	2	374000	585000	23122 CC/W33	*		
110	180	69	2	460000	750000	24122 CC/W33		*	
	200	53	2.1	408000	560000	22222 CC/W33	*		
	200	69.8	2.1	518000	765000	23222 CC/W33	*		

Spherical roller bearings



d mm	Dimensions			Load ratings		Designation	K 12	K 30	M
	D	B	r	Dynamic C N	Static Co				
120	240	50	3	460000	630000	21322 CC/W33	*		
	240	80	3	725000	965000	22322 CC/W33	*		
	180	46	2	305000	510000	23024 CC/W33	*		
	180	60	2	374000	670000	24024 CC/W33		*	*
	200	62	2	449000	695000	23124 CC/W33	*		
	200	80	2	575000	950000	24124 CC/W33		*	
	215	58	2.1	466000	670000	22224 CC/W33	*		
	215	76	2.1	610000	930000	23224 CC/W33	*		
130	260	86	3	845000	1120000	22324 CC/W33	*		
	200	52	2	374000	610000	23026 CC/W33	*		
	200	69	2	477000	815000	24026 CC/W33		*	*
	210	64	2	489000	780000	23126 CC/W33	*		
	210	80	2	587000	1000000	24126 CC/W33		*	
	230	64	3	546000	800000	22226 CC/W33	*		
	230	80	3	690000	1060000	23226 CC/W33	*		*
	280	93	4	978000	1320000	22326 CC/W33	*		*
140	210	53	2	397000	680000	23028 CC/W33	*		
	210	69	2	495000	900000	24028 CC/W33		*	*
	225	68	2.1	546000	900000	23128 CC/W33	*		
	225	85	2.1	673000	1160000	24128 CC/W33		*	
	250	68	3	610000	900000	22228 CC/W33	*		
	250	88	3	799000	1250000	23228 CC/W33	*		*
	300	102	4	1130000	1560000	22328 CC/W33	*		
	150	225	56	2.1	437000	750000	23030 CC/W33	*	
225		75	2.1	564000	1040000	24030 CC/W33		*	*
250		80	2.1	725000	1200000	23130 CC/W33	*		
250		100	2.1	897000	1530000	24130 CC/W33		*	
270		73	3	736000	1080000	22230 CC/W33	*		
270		96	3	937000	1460000	23230 CC/W33	*		
320		108	4	1270000	1760000	22330 CC/W33	*		*

Spherical roller bearings

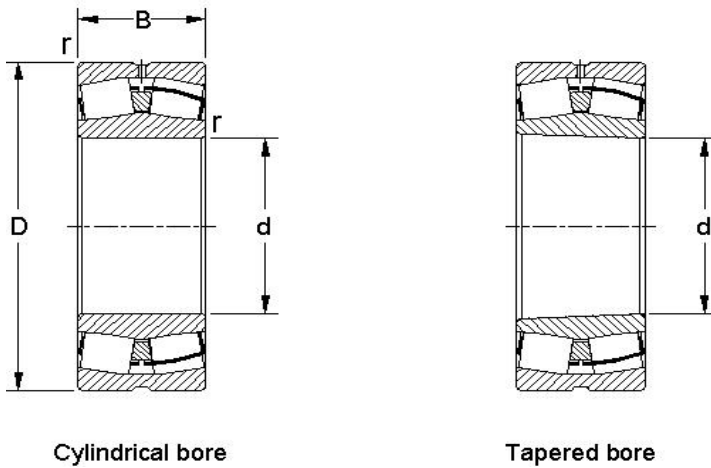


Cylindrical bore

Tapered bore

d mm	Dimensions			Load ratings		Designation	K 12	K 30	M
	D	B	r	Dynamic C N	Static Co				
160	240	60	2.1	506000	880000	23032 CC/W33	*		
	240	80	2.1	656000	1200000	24032 CC/W33		*	*
	270	86	2.1	845000	1370000	23132 CC/W33	*		
	270	109	2.1	1040000	1760000	24132 CC/W33		*	
	290	80	3	863000	1290000	22232 CC/W33	*		
	290	104	3	1070000	1660000	23232 CC/W33	*		
	340	114	4	1380000	1960000	22332 CC/W33	*		*
170	260	67	2.1	621000	1060000	23034 CC/W33	*		
	260	90	2.1	799000	1460000	24034 CC/W33		*	*
	280	88	2.1	897000	1500000	23134 CC/W33	*		
	280	109	2.1	1070000	1860000	24134 CC/W33		*	
	310	86	4	978000	1460000	22234 CC/W33	*		*
	310	110	4	1220000	1930000	23234 CC/W33	*		
	360	120	4	1540000	2160000	22334 CC/W33	*		*
180	250	52	2	431000	830000	23936 CC/W33	*		*
	280	74	2.1	725000	1250000	23036 CC/W33	*		
	280	100	2.1	937000	1730000	24036 CC/W33		*	*
	300	96	3	1050000	1760000	23136 CC/W33	*		
	300	118	3	1220000	2160000	24136 CC/W33		*	
180	320	86	4	1010000	1560000	22236 CC/W33	*		*
	320	112	4	1290000	2120000	23236 CC/W33	*		*
	380	126	4	1730000	2450000	22336 CC/W33	*		*
190	260	52	2	414000	800000	23938 CC/W33	*		*
	290	75	2.1	753000	1340000	23038 CC/W33	*		*
	290	100	2.1	978000	1800000	24038 CC/W33		*	*
	320	104	3	1200000	2080000	23138 CC/W33	*		*
	320	128	3	1400000	2500000	24138 CC/W33		*	*
	340	92	4	1110000	1700000	22238 CC/W33	*		*
	340	120	4	1460000	2400000	23238 CC/W33	*		*
	400	132	5	1870000	2650000	22338 CC/W33	*		*

Spherical roller bearings

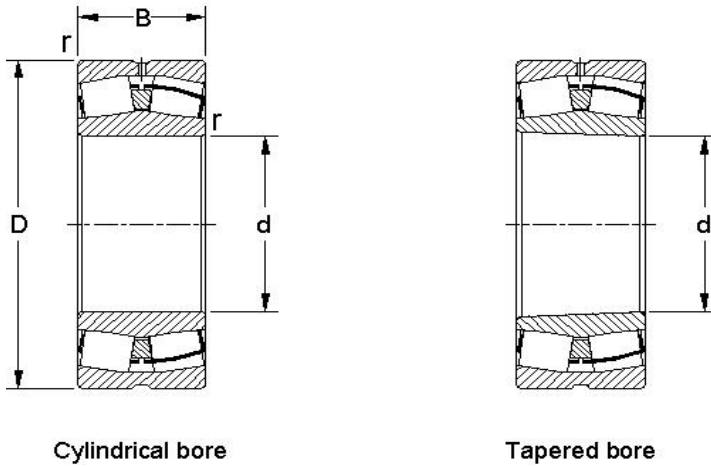


Cylindrical bore

Tapered bore

Dimensions				Load ratings		Designation	K 12	K 30	M
d mm	D	B	r	Dynamic C N	Static Co				
200	280	60	2.1	546000	1040000	23940 CC/W33	*		*
	310	82	2.1	880000	1530000	23040 CC/W33	*		*
	310	109	2.1	1130000	2120000	24040 CC/W33		*	*
	340	112	3	1380000	2360000	23140 CC/W33	*		*
	340	140	3	1580000	2800000	24140 CC/W33		*	*
	360	98	4	1270000	1930000	22240 CC/W33	*		*
	360	128	4	1610000	2700000	23240 CC/W33	*		*
	420	138	5	2020000	2900000	22340 CC/W33	*		*
220	300	60	2.1	546000	1080000	23944 CC/W33	*		*
	340	90	3	1050000	1860000	23044 CC/W33	*		*
	340	118	3	1360000	2600000	24044 CC/W33		*	*
	370	120	4	1580000	2750000	23144 CC/W33	*		*
	370	150	4	1840000	3350000	24144 CC/W33		*	*
	400	108	4	1520000	2360000	22244 CC/W33	*		*
	400	144	4	2070000	3450000	23244 CC/W33	*		*
	460	145	5	2350000	3450000	22344 CC/W33	*		*
240	320	60	2.1	564000	1160000	23948 CC/W33	*		*
	360	92	3	1130000	2080000	23048 CC/W33	*		*
	360	118	3	1380000	2700000	24048 CC/W33		*	*
	400	128	4	1790000	3200000	23148 CC/W33	*		*
	400	160	4	2100000	3900000	24148 CC/W33		*	*
	440	120	4	1910000	3000000	22248 CC/W33	*		*
	440	160	4	2530000	4300000	23248 CC/W33	*		*
	500	155	5	2670000	4000000	22348 CC/W33	*		*
260	360	75	2.1	880000	1800000	23952 CC/W33	*		*
	400	104	4	1400000	2550000	23052 CC/W33	*		*
	400	140	4	1760000	3450000	24052 CC/W33		*	*
	440	144	4	2220000	3900000	23152 CC/W33	*		*
	440	180	4	2620000	4800000	24152 CC/W33		*	*
	480	130	5	2300000	3550000	22252 CAC/W33	*		*
	480	174	5	2820000	4750000	23252 CAC/W33	*		*

Spherical roller bearings

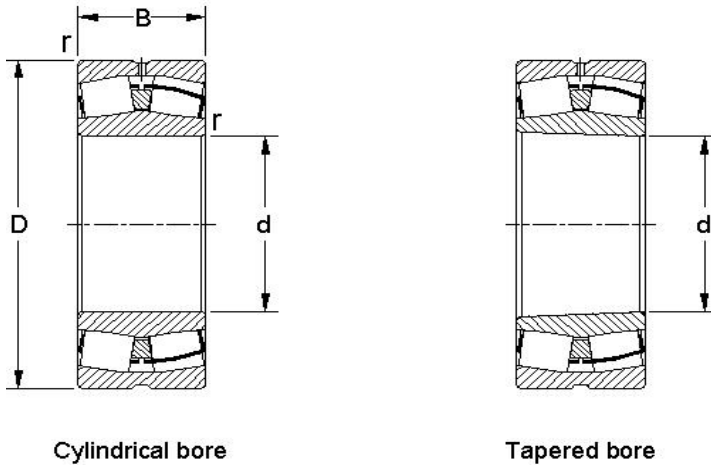


Cylindrical bore

Tapered bore

Dimensions				Load ratings		Designation	K 12	K 30	M
d	D	B	r	Dynamic C	Static Co				
mm				N					
280	540	165	6	3050000	4550000	22352 CC/W33	*		*
	380	75	2.1	845000	1760000	23956 CC/W33	*		*
	420	106	4	1520000	2850000	23056 CC/W33	*		*
	420	140	4	1870000	3800000	24056 CC/W33		*	*
	460	146	5	2300000	4250000	23156 CC/W33	*		*
	460	180	5	2670000	5100000	24156 CC/W33		*	*
	500	130	5	2350000	3750000	22256 CAC/W33	*		*
	500	176	5	2820000	4900000	23256 CAC/W33	*		*
	580	175	6	3450000	5200000	22356 CC/W33	*		*
300	420	90	3	1200000	2500000	23960 CC/W33	*		*
	460	118	4	1840000	3450000	23060 CC/W33	*		*
	460	160	4	2350000	4750000	24060 CC/W33		*	*
	500	160	5	2820000	5100000	23160 CC/W33	*		*
300	500	200	5	3280000	6300000	24160 CC/W33		*	*
	540	140	5	2760000	4250000	22260 CAC/W33	*		*
	540	192	5	3340000	5850000	23260 CAC/W33	*		*
320	440	90	3	1240000	2700000	23964 CAC/W33	*		*
	480	121	4	1960000	3800000	23064 CC/W33	*		*
	480	160	4	2480000	5100000	24064 CC/W33		*	*
	540	176	5	3280000	6000000	23164 CC/W33	*		*
	540	218	5	3740000	7100000	24164 CC/W33		*	*
	580	150	5	3160000	4900000	22264 CAC/W33	*		*
	580	208	5	3850000	6700000	23264 CAC/W33	*		*
340	460	90	3	1270000	2800000	23968 CC/W33	*		*
	520	133	5	2350000	4550000	23068 CC/W33	*		*
	520	180	5	2990000	6200000	24068 CC/W33		*	*
	580	190	5	3680000	6800000	23168 CC/W33	*		*
	580	243	5	4660000	8650000	24168 CAC/W33		*	*
	620	224	6	4660000	8300000	23268 CC/W33	*		*

Spherical roller bearings

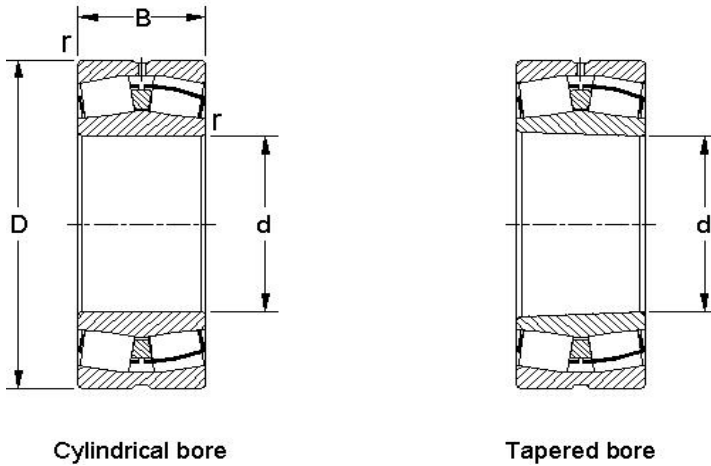


Cylindrical bore

Tapered bore

Dimensions				Load ratings		Designation	K 12	K 30	M
d	D	B	r	Dynamic C	Static Co				
mm				N					
360	480	90	3	1290000	2900000	23972 CAC/W33	*		*
	540	134	5	2390000	4800000	23072 CC/W33	*		*
	540	180	5	3110000	6550000	24072 CC/W33		*	*
	600	192	5	3740000	6950000	23172 CAC/W33	*		*
	600	243	5	4490000	8650000	24172 CC/W33		*	*
	650	232	6	4660000	8300000	23272 CA/W33	*		*
380	520	106	4	1730000	3800000	23976 CC/W33	*		*
	560	135	5	2480000	5000000	23076 CC/W33	*		*
	560	180	5	3160000	6800000	24076 CC/W33		*	*
	620	194	5	3740000	7100000	23176 CA/W33	*		*
	620	243	5	4600000	9150000	24176 CA/W33		*	*
	680	240	6	5060000	9150000	23276 CA/W33	*		*
400	540	106	4	1730000	3900000	23980 CAC/W33	*		*
	600	148	5	2880000	5700000	23080 CAC/W33	*		*
	600	200	5	3620000	7800000	24080 CAC/W33		*	*
	650	200	6	4080000	7650000	23180 CA/W33	*		*
	650	250	6	4890000	9800000	24180 CA/W33		*	*
	720	256	6	5750000	10400000	23280 CA/W33	*		*
420	560	106	4	1760000	4150000	23984 CAC/W33	*		*
	620	150	5	2990000	6000000	23084 CA/W33	*		*
	620	200	5	3740000	8150000	24084 CA/W33		*	*
	700	224	6	4890000	9300000	23184 CA/W33	*		*
	700	280	6	5750000	11400000	24184 CA/W33		*	*
	760	272	7.5	6330000	11600000	23284 CA/W33	*		*
440	600	118	4	2100000	4900000	23988 CAC/W33	*		*
	650	157	6	3220000	6550000	23088 CA/W33	*		*
	650	212	6	4080000	8800000	24088 CA/W33		*	*
	720	226	6	5180000	10000000	23188 CA/W33	*		*
	720	280	6	5980000	12200000	24188 CA/W33		*	*

Spherical roller bearings



Cylindrical bore

Tapered bore

d mm	Dimensions			Load ratings		Designation	K 12	K 30	M
	D	B	r	Dynamic C N	Static Co				
460	790	280	7.5	6730000	12500000	23288 CA/W33	*		*
	620	118	4	2190000	5000000	23992 CA/W33	*		*
	680	163	6	3450000	6950000	23092 CA/W33	*		*
	680	218	6	4370000	9500000	24092 CA/W33		*	*
	760	240	7.5	5640000	10800000	23192 CA/W33	*		*
	760	300	7.5	7250000	14600000	24192 CA/W33		*	*
	830	296	7.5	7360000	13700000	23292 CA/W33	*		*
480	650	128	5	2530000	5700000	23996 CA/W33	*		*
	700	165	6	3340000	6800000	23096 CA/W33	*		*
	700	218	6	4490000	10000000	24096 CA/W33		*	*
480	790	248	7.5	6100000	12000000	23196 CA/W33	*		*
	790	308	7.5	7250000	15000000	24196 CA/W33		*	*
	870	310	7.5	8170000	15000000	23296 CA/W33	*		*
500	670	128	5	2530000	6000000	239/500 CA/W33	*		*
	720	167	6	3680000	7800000	230/500 CA/W33	*		*
	720	218	6	4600000	10400000	240/500 CA/W33		*	*
	830	264	7.5	6730000	12900000	231/500 CA/W33	*		*
	830	325	7.5	8630000	17000000	241/500 CA/W33		*	*
	920	336	7.5	9780000	18300000	232/500 CA/W33	*		*
530	710	136	5	2820000	6700000	239/530 CA/W33	*		*
	780	185	6	4370000	9300000	230/530 CA/W33	*		*
	780	250	6	5640000	12700000	240/530 CA/W33		*	*
	870	272	7.5	7130000	14000000	231/530 CA/W33	*		*
	870	335	7.5	9200000	19000000	241/530 CA/W33		*	*
	980	355	9.5	11100000	20400000	232/530 CA/W33	*		*